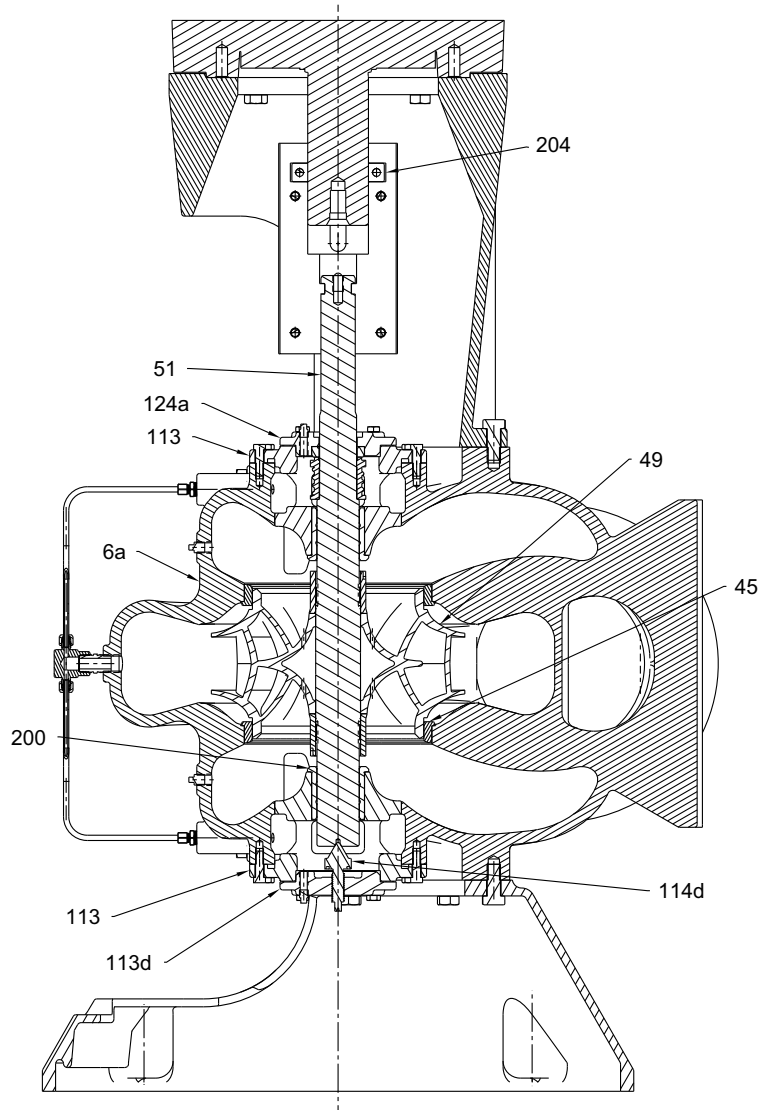


PACO KPVS



TM06 8407 0417

Pos.	Component	Material	ASTM standard
6a	Pump housing	Cast iron	ASTM A48 CL35
45	Wear ring	Bronze	ASTM B148, C95200
49	Impeller	Silicon bronze	ASTM B584, C87600
51	Shaft	Steel	AISI 1144 Stress proof
113	Bearing housing	Cast iron	ASTM A48, CL30
113d	Bearing cover, non-drive end	Cast iron	ASTM A48, CL30
114d	Jacking screw		
124a	Seal housing	Cast iron	ASTM A48, CL30
200	Sleeve bearing	Vesconite	
203	Coupling	Aluminum	
204	Shaft collar	Stainless steel	