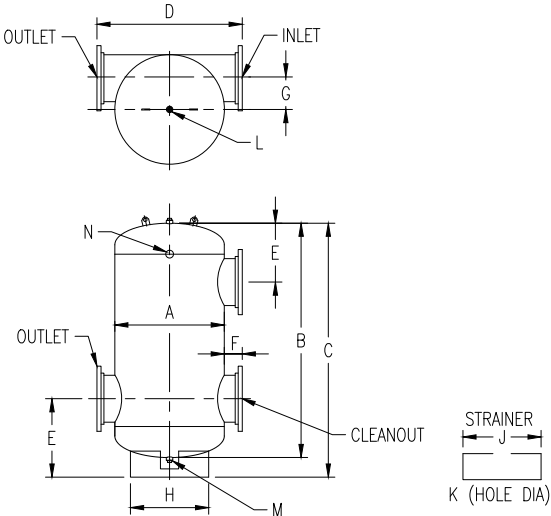


TANGENTIAL AIR SEPARATORS

FEATURES

- ASME constructed and stamped
- 125 PSIG design pressure
- 375° F maximum operating temperature
- Carbon steel construction—painted
- Tangential design results in small unit
- Provides air free fluid flow which protects against damage and system noises
- Higher working pressures, special materials, and/or grooved connections available
- Nozzle sizes up to 24" available upon request



TECHNICAL DATA

Part No.	Dimensions in Inches										Inlet	Outlet	Clean-Out	NPT - Openings			Ship Weight
	A	B	C	D	E	F	G	H	J	K				L	M	N	
Includes Strainer & Clean Out																	
98842814	12	19 1/2	22 1/2	16 5/8	5 1/2	2 1/8	4 5/16	9 1/2	16 1/2	2	2" NPT	2" NPT	2" NPT	1 1/4	1	1/2	49
98842815	12	19 1/2	22 1/2	16 5/8	5 1/2	2 3/8	4 1/16	9 1/2	16 1/2	2 1/2	2.5" NPT	2.5" NPT	2.5" NPT	1 1/4	1	1/2	64
98842816	12	19 1/2	22 1/2	19 3/4	5 3/4	2 1/2	3 3/4	9 1/2	17 1/8	3	3" RFSO	3" RFSO	3" RFSO	1 1/4	1	1/2	69
98842817	14	29	32	21 3/4	9 1/8	2 1/2	4 1/4	11 1/2	19 1/2	4	4" RFSO	4" RFSO	4" RFSO	1 1/2	2	1/2	111
98842818	14	29	32	21 3/4	9 1/8	2 1/2	3 3/4	11 1/2	19 3/4	5	5" RFSO	5" RFSO	5" RFSO	1 1/2	2	1/2	138
98842819	20	41	44	28	13 1/4	2 1/2	6 1/4	18	25	6	6" RFSO	6" RFSO	6" RFSO	2	2	1/2	236
98842820	20	41	44	28	13 1/4	3	5 3/16	18	29	8	8" RFSO	8" RFSO	8" RFSO	2	2	1/2	359
98842821	30	58	60 1/2	41	19	3 1/2	9 1/8	24	25 1/2	10	10" RFSO	10" RFSO	10" RFSO	2	2	1/2	663
98842822	30	58	60 1/2	41	19	3 1/2	8 1/8	24	26 1/2	12	12" RFSO	12" RFSO	12" RFSO	2	2	1/2	747
98842823	36	75 1/2	78	46 3/8	22	3 1/2	10 3/16	30	42 1/4	14	14" RFSO	14" RFSO	14" RFSO	2	2	1/2	1,493
Without Strainer & Clean Out																	
98842824	12	19 1/2	22 1/2	16 5/8	5 1/2	N/A	4 5/16	9 1/2	N/A	N/A	2" NPT	2" NPT	N/A	1 1/4	1	1/2	41
98842825	12	19 1/2	22 1/2	16 5/8	5 1/2	N/A	4 1/16	9 1/2	N/A	N/A	2.5" NPT	2.5" NPT	N/A	1 1/4	1	1/2	56
98842827	12	19 1/2	22 1/2	19 3/4	5 3/4	N/A	3 3/4	9 1/2	N/A	N/A	3" RFSO	3" RFSO	N/A	1 1/4	1	1/2	59
98842828	14	29	32	21 3/4	9 1/8	N/A	4 1/4	11 1/2	N/A	N/A	4" RFSO	4" RFSO	N/A	1 1/2	2	1/2	97
98842829	14	29	32	21 3/4	9 1/8	N/A	3 3/4	11 1/2	N/A	N/A	5" RFSO	5" RFSO	N/A	1 1/2	2	1/2	118
98842830	20	41	44	28	13 1/4	N/A	6 1/4	18	N/A	N/A	6" RFSO	6" RFSO	N/A	2	2	1/2	201
98842831	20	41	44	28	13 1/4	N/A	5 3/16	18	N/A	N/A	8" RFSO	8" RFSO	N/A	2	2	1/2	299
98842832	30	58	60 1/2	41	19	N/A	9 1/8	24	N/A	N/A	10" RFSO	10" RFSO	N/A	2	2	1/2	563
98842833	30	58	60 1/2	41	19	N/A	8 1/8	24	N/A	N/A	12" RFSO	12" RFSO	N/A	2	2	1/2	647
98842834	36	75 1/2	78	46 3/8	22	N/A	10 3/16	30	N/A	N/A	14" RFSO	14" RFSO	N/A	2	2	1/2	1,366

GRUNDFOS TECHNICAL INSTITUTE

The Grundfos Technical Institute (GTI) offers busy professionals the opportunity to maintain their continuing education credits through a wide variety of flexible learning avenues.

Visit www.grundfos.us/training, to choose from a number of education possibilities that suit your needs and schedule, including face-to-face classes, group webinars and self-directed online courses.

GRUNDFOS COMMERCIAL BUILDING SYSTEMS

Grundfos is a leading supplier of full-range pump solutions from water supply to wastewater discharge and every application in between.

At Grundfos, we think beyond the pump. Our goal is to understand the building as a whole in order to develop solutions built with intelligence and adaptability.

This approach has made us a preferred partner for contractors, consulting engineers and building owners as they look to build the most sustainable and efficient commercial buildings in the world.