

Grundfos Heat Exchangers

Grundfos provides a full range of gasketed and brazed plate heat exchangers designed for heating, ventilation, air-conditioning and cooling applications.



Gasketed Plate Heat Exchangers

Versatile and reliable gasketed plate heat exchangers feature wavelike corrugation for optimal fluid distribution, leading to the highest heat transfer rates at the lowest pressure drops. They also feature a glue-free gasket for simple replacement and a self-centering plate system for longer lifecycle.

Brazed Plate Heat Exchangers

A compact and economic option, brazed heat exchangers are made of individually connected corrugated stainless steel plates for simple assembly. Highly resistant to extreme pressures and temperatures, they are gasket-free and thus maintenance-free.



Applications

- District Cooling
- Cooling Tower
- Free Cooling
- Ice Storage
- Pressure Interceptors
- Pool Heating

Standard Features and Benefits

- Latest design plate on HVAC market
- Made in USA
- Clip-on gaskets, no gluing required
- Plates have interlocking tabs for easy maintenance
- Plate style reduces fouling and offers same performance with less surface

Certifications

- AHRI
- ASME
- Buy America Act
- ARRA
- Pennsylvania Steel Act
- CRN

Grundfos MF Family

Multi-Function Plate and Frame Heat Exchangers

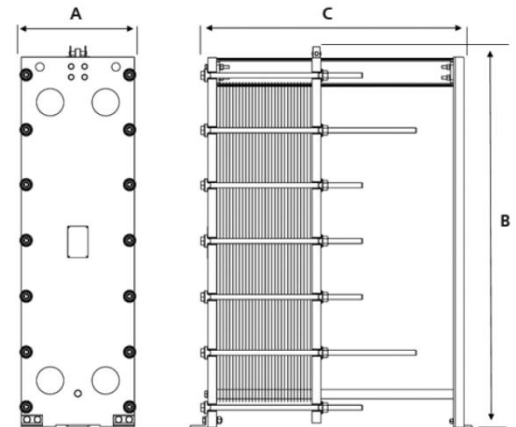
The Grundfos HEP-MF gasketed plate and frame heat exchanger family is our most versatile unit, featuring connection sizes from 1 to 14 inches. Our compact design is available in a wide variety of materials, plate configurations and sizes. A maximum flow rate of up to 9,600 gpm and a pressure rating of up to 300 psi makes this efficient heat exchange the best option for your heat transfer needs.

MAXIMUM LIQUID FLOW RATE	
HEP-01-MF	50 gpm (11 m ³ /hr)
HEP-02-MF	230 gpm (52 m ³ /h)
HEP-04-MF	900 gpm (204 m ³ /h)
HEP-06-MF	2000 gpm (454 m ³ /h)
HEP-10-MF	5400 gpm (1226 m ³ /h)
HEP-14-MF	9600 gpm (2180 m ³ /hr)

TECHNICAL DATA	
Flow Rate	Max 9,600 gpm (2180 m ³ /hr)
Temperature	Max 370° F (190° C)
Pressure	Max 300 psi (20 bar)
Port Connection	1" to 14" (25 mm to 355 mm)

CONSTRUCTION	
Component	Materials
Heat Transfer Plate	316L Stainless, 304 Stainless, Titanium
Gasket	NBR, EPDM, Viton
Pressure Plate	Carbon Steel, Stainless Steel
Port Connection	Unlined, Metal Lined (Stainless, Titanium), NPT

DIMENSIONS				
Model	Connection Size	Standard Frame Dimensions		
		Nominal	A	B
HEP-01-MF-M	1"	7.1" (180 mm)	22.5" (572 mm)	Max 18" (457 mm)
HEP-02-MF-W	2"	12.7" (323 mm)	26.6" (675 mm)	Max 44" (1120 mm)
HEP-02-MF-M			40.4" (1025 mm)	
HEP-02-MF-X			54.9" (1395 mm)	
HEP-04-MF-W	4"	23.0" (584 mm)	51.1" (1298 mm)	Max 158" (4013 mm)
HEP-04-MF-M			67.5" (1716 mm)	
HEP-04-MF-X			83.52" (2121 mm)	
HEP-06-MF-S	6"	26.2" (665 mm)	70.1" (1781 mm)	Max 159" (4039 mm)
HEP-06-MF-L			89.4" (2271 mm)	
HEP-10-MF-S	10"	35.2" (895 mm)	89.5" (2273 mm)	Max 159" (4039 mm)
HEP-10-MF-M			99.6" (2529 mm)	
HEP-10-MF-L			112.8" (2866 mm)	
HEP-14-MF-S	14"	44.7" (1134 mm)	115.4" (2930 mm)	Max 238" (6045 mm)
HEP-14-MF-M			128.6" (3267 mm)	
HEP-14-MF-L			141.9" (3604 mm)	



Grundfos MFT

Multi-Function High Theta

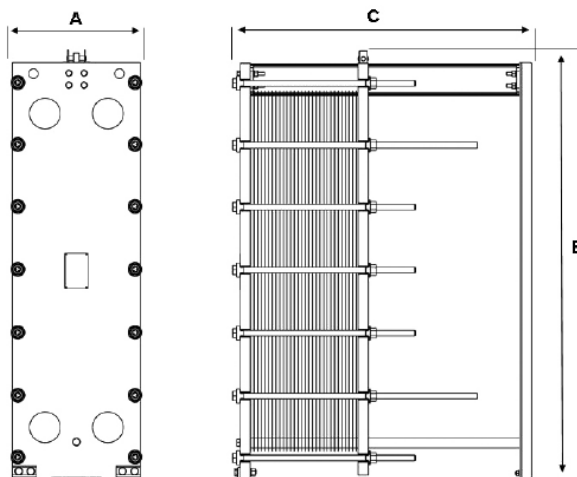
The Grundfos HEP-MFT gasketed plate and frame heat exchanger is the perfect fit for district cooling, thermal storage and pressure breakers. The system efficiency from this single-pass heat exchanger allows you to approach temperatures less than 2° F. The MFT's flexible, single-pass design eliminates the need for additional piping and auxiliary equipment used in multi-pass designs, making it an economical choice for your system.

MAXIMUM LIQUID FLOW RATE	
HEP-04-MFT	900 gpm (204 m3/h)
HEP-06-MFT	2000 gpm (454 m3/h)
HEP-10-MFT	5400 gpm (1226 m3/h)

TECHNICAL DATA	
Flow Rate	max 5,400 gpm (1226 m3/h)
Temperature	max 330 deg F (165 deg C)
Pressure	max 400 psi (28 bar)
Port Connection	4" to 10" (101 mm to 254 mm)

CONSTRUCTION	
Component	Materials
Heat Transfer Plate	316L Stainless, 304 Stainless
Gasket	NBR, EPDM
Pressure Plate	Carbon Steel
Port Connection	Unlined, Metal Lined (Stainless, Titanium), NPT

DIMENSIONS				
Model	Connection Size	Standard Frame Dimensions		
		Nominal	A	B
HEP-04-MFT-X	4"	23.0" (584 mm)	82.5" (2121 mm)	Max 158" (4013 mm)
HEP-06-MFT-X	6"	26.2" (665 mm)	93.6" (2377 mm)	Max 152" (3860 mm)
HEP-10-MFT-L	10"	35.2" (895 mm)	112.8" (2866 mm)	Max 154" (3911 mm)



Grundfos MFD

Multi-Function Double Wall

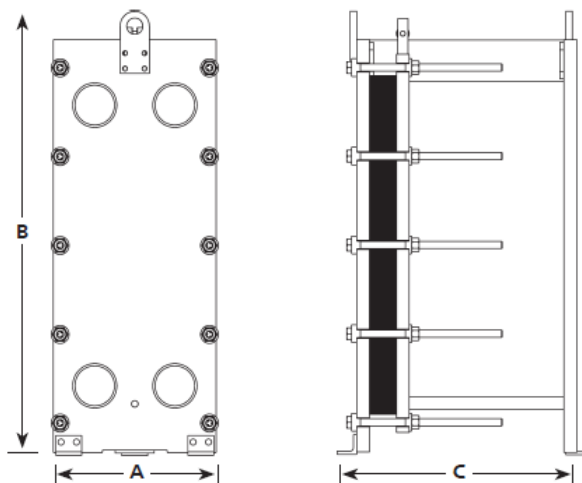
The Grundfos HEP-MFD gasketed plate and frame heat exchanger family is the most reliable double wall unit on the market. The unique laser-welded design of our plates eliminates any possibility of two fluids intermixing as they travel through the unit. This heat exchanger is the best option when potable water is used in the process.

TECHNICAL DATA	
Flow Rate	max 900 gpm (204 m3/h)
Temperature	Max 370° F (190° C)
Pressure	Max 230 psi (16 bar)
Port Connection	2" to 4" (50 mm to 101 mm)

MAXIMUM LIQUID FLOW RATE	
HEP-02-MFD	230 gpm (52 m3/h)
HEP-04-MFD	900 gpm (204 m3/h)

CONSTRUCTION	
Component	Materials
Heat Transfer Plate	316L Stainless
Gasket	NBR, EPDM, Viton
Pressure Plate	Carbon Steel
Port Connection	Unlined, Metal Lined (Stainless, Titanium), NPT

DIMENSIONS				
Model	Connection Size	Standard Frame Dimensions		
		Nominal	A	B
HEP-02-MFD-W	2"	12.7" (323 mm)	26.60" (675 mm)	Max 44" (1120 mm)
HEP-02-MFD-M			40.40" (1025 mm)	
HEP-02-MFD-X			54.90" (1395 mm)	
HEP-04-MFD-W	4"	23.0" (584 mm)	51.10" (1298 mm)	Max 158" (4013 mm)
HEP-04-MFD-M			67.5" (1716 mm)	
HEP-04-MFD-X			83.52" (2121 mm)	





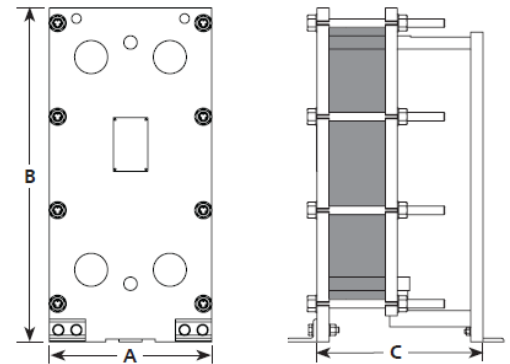
Grundfos MFA
Multi-Function AHRI

The Grundfos HEP-MFA gasketed plate and frame heat exchanger is perfectly suited for a broad range of HVAC applications. Certified under the AHRI Standard 400, these units offer solutions for a broad range of media applications, provide 300 psi design pressure and a temperature approaching less than 2° F. Independently certified performance provides peace of mind when specifying and purchasing heat exchangers.

MAXIMUM LIQUID FLOW RATE	
HEP-02-MFA	230 gpm (52 m ³ /h)
HEP-04-MFA	900 gpm (204 m ³ /h)
HEP-06-MFA	2000 gpm (454 m ³ /h)
HEP-10-MFA	5400 gpm (1226 m ³ /h)
HEP-14-MFA	9600 gpm (2180 m ³ /h)

TECHNICAL DATA	
Flow Rate	Max 2,000 gpm (454 m ³ /hr)
Temperature	Max 330° F (170° C)
Pressure	Max 300 psi (20 bar)
Port Connection	2" to 14" (50 mm to 355 mm)

CONSTRUCTION	
Component	Materials
Heat Transfer Plate	316L Stainless, 304 Stainless, Titanium
Gasket	NBR, EPDM, Viton
Pressure Plate	Carbon Steel, Stainless Steel
Port Connection	Unlined, Metal Lined (Stainless, Titanium), NPT



DIMENSIONS				
Model	Connection Size	Standard Frame Dimensions		
		Nominal	A	B
HEP-02-MFA-W	2"	12.7" (323 mm)	26.6" (675 mm)	Max 44" (1118 mm)
HEP-02-MFA-M			40.4" (1025 mm)	
HEP-02-MFA-X			54.9" (1395 mm)	
HEP-04-MFA-W	4"	23.0" (584 mm)	51.1" (1298 mm)	Max 158" (4013 mm)
HEP-04-MFA-M			67.5" (1716 mm)	
HEP-04-MFA-X			83.52" (2121 mm)	
HEP-06-MFA-S	6"	26.2" (665 mm)	70.1" (1781 mm)	Max 159" (4039 mm)
HEP-06-MFA-L			89.4" (2271 mm)	
HEP-10-MFA-S	10"	35.2" (895 mm)	89.5" (2273 mm)	Max 159" (4039 mm)
HEP-10-MFA-M			99.6" (2529 mm)	
HEP-10-MFA-L			112.8" (2866 mm)	
HEP-14-MFA-S	14"	44.7" (1134 mm)	115.4" (2930 mm)	Max 238" (6045 mm)
HEP-14-MFA-M			128.6" (3267 mm)	
HEP-14-MFA-L			141.9" (3604 mm)	

Grundfos MFTA

Multi-Function High Theta AHRI

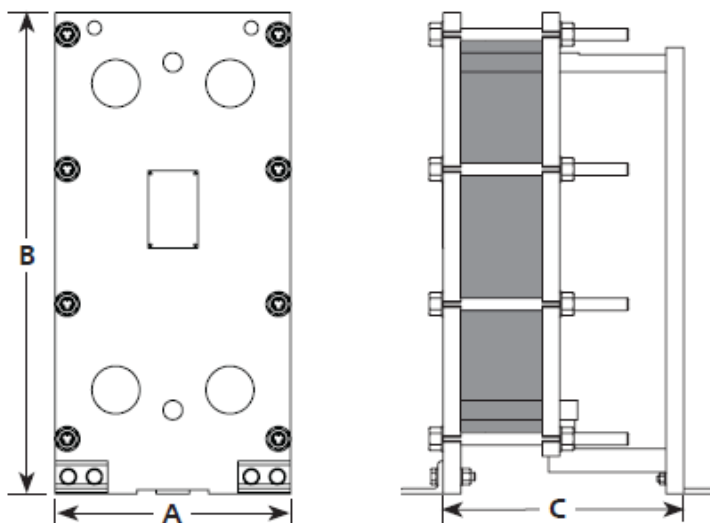


The Grundfos HEP-MFTA gasketed plate and frame heat exchanger is perfectly suited for a broad range of HVAC applications. Certified under the AHRI Standard 400, these units offer solutions for a broad range of media applications, provide greater than 400 psi design pressure and a temperature approaching less than 2° F. Independently certified performance provides peace of mind when specifying and purchasing heat exchangers.

MAXIMUM LIQUID FLOW RATE		TECHNICAL DATA	
HEP-04-MFTA-X	900 gpm (204 m3/h)	Flow Rate:	max 5,400 gpm (1226 m3/h)
HEP-06-MFTA-X	2000 gpm (454 m3/h)	Temperature:	max 330 deg F (165 deg C)
HEP-10-MFTA-L	5400 gpm (1226 m3/h)	Pressure:	max 400 psi (28 bar)
		Port Connection:	4" to 10" (101 mm to 254 mm)

CONSTRUCTION	
Component	Materials
Heat Transfer Plate	316L Stainless, 304 Stainless, Titanium
Gasket	NBR, EPDM, Viton
Pressure Plate	Carbon Steel, Stainless Steel
Port Connection	Unlined, Metal Lined (Stainless, Titanium), NPT

Dimensions				
Model	Connection size	Standard Frame dimensions		
		Nominal	A	B
HEP-04-MFTA-X	4"	23.0" (584 mm)	82.5" (2121 mm)	Max 158" (4013 mm)
HEP-06-MFTA-X	6"	26.2" (665 mm)	93.6" (2377 mm)	Max 152" (3860 mm)
HEP-10-MFTA-L	10"	35.2" (895 mm)	112.8" (2866 mm)	Max 154" (3911 mm)



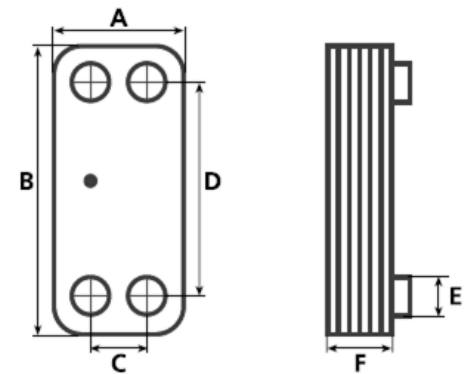
Grundfos HEB Family

Brazed Plate Heat Exchanger

The Grundfos HEB brazed plate heat exchanger is expertly engineered to provide the best possible heat transfer solution for heating/hot water production, snow melt, potable water, liquid-to-liquid applications and more. These units feature a safety chamber to absorb stress and a rolled edge lock system create a sturdy and durable unit.

Model	Maximum Liquid Flow Rate:	Volume:	Maximum Number of Plates:
HEB-01-H	25 gpm (6 m3/h)	0.008 gal/ch (0.030 l/ch)	50
HEB-02-H	25 gpm (6 m3/h)	0.012 gal/ch (0.046 l/ch)	50
HEB-03-H	25 gpm (6 m3/h)	0.019 gal/ch (0.070 l/ch)	50
HEB-04-H	45 gpm (10 m3/h)	0.017 gal/ch (0.065 l/ch)	100
HEB-05-H	45 gpm (20 m3/h)	0.026 gal/ch (0.100 l/ch)	100
HEB-06-V	120 gpm (27 m3/h)	0.061 gal/ch (0.230 l/ch)	150
HEB-07-M	120 gpm (27 m3/h)	0.061 gal/ch (0.230 l/ch)	150
HEB-08-M	300 gpm (70 m3/h)	0.109 gal/ch (0.411 l/ch)	130
HEB-09-H	300 gpm (70 m3/h)	0.058 gal/ch (0.221 l/ch)	260
HEB-10-H	300 gpm (70 m3/h)	0.106 gal/ch (0.399 l/ch)	260
HEB-11-H	700 gpm (160 m3/h)	0.159 gal/ch (0.600 l/ch)	360
HEB-12-D	70 gpm (20 m3/h)	0.017 gal/ch (0.065 l/ch)	120
HEB-13-D	70 gpm (20 m3/h)	0.026 gal/ch (0.10 l/ch)	120

CONSTRUCTION	
Component	Materials
Plate	316L Stainless
Brazing	Copper



TECHNICAL DATA	HEB	HEB-D (Double Wall)
Flow Rate:	max 700 gpm (160 m3/h)	max 70 gpm (20 m3/h)
Temperature:	max 350 deg F (176 deg C)	max 350 deg F (176 deg C)
Pressure:	max 450 psi (31 bar)	max 650 psi (45 bar)
Connection:	3/8" to 4" (9.5 mm to 101mm)	up to 1"

DIMENSIONS							
Model	Standard Frame dimensions						
	A	B	C	D	E	F	
HEB-01-H	3.5" (90 mm)	9.1" (231 mm)	1.7" (43 mm)	7.2" (182 mm)	0.79" (20 mm)	0.39 + (0.088 x N) "	
HEB-02-H	3.5" (90 mm)	12.9" (328 mm)	1.7" (43 mm)	11.0" (279 mm)	0.79" (20 mm)	0.39 + (0.088 x N) "	
HEB-03-H	3.5" (90 mm)	18.3" (464 mm)	1.7" (43 mm)	16.3" (415 mm)	0.79" (20 mm)	0.39 + (0.088 x N) "	
HEB-04-H	4.9" (124 mm)	13.2" (335 mm)	2.9" (73 mm)	11.1" (281 mm)	0.98" (25 mm)	0.37 + (0.088 x N) "	
HEB-05-H	4.9" (124 mm)	20.9" (532 mm)	2.9" (73 mm)	18.8" (478 mm)	0.98" (25 mm)	0.37 + (0.088 x N) "	
HEB-06-V	10.7" (271 mm)	20.9" (532 mm)	7.9" (200 mm)	18.1" (460 mm)	1.57" (40 mm)	0.43 + (0.096 x N) "	
HEB-07-M	10.7" (271 mm)	20.9" (532 mm)	7.9" (200 mm)	18.1" (460 mm)	1.57" (40 mm)	0.43 + (0.096 x N) "	
HEB-08-M	10.1" (257 mm)	20.4" (519 mm)	5.4" (138 mm)	16.4" (416 mm)	3.15" (80 mm)	0.53 + (0.104 x N) "	
HEB-09-H	10.7" (271 mm)	20.9" (532 mm)	6.3" (161 mm)	16.6" (416 mm)	2.56" (65 mm)	0.45 + (0.092 x N) "	
HEB-10-H	10.7" (271 mm)	31.6" (802 mm)	8.9" (225 mm)	27.2" (690 mm)	2.56" (65 mm)	0.44 + (0.091 x N) "	
HEB-11-H	15.2" (386 mm)	34.5" (875 mm)	9.3" (237 mm)	28.5" (723 mm)	3.94" (100 mm)	0.91 + (0.093 x N) "	
HEB-12-D	5.1" (130 mm)	13.3" (338 mm)	2.9" (74 mm)	11.1" (282 mm)	0.98" (25 mm)	0.40 + (0.0088 x N) "	
HEB-13-D	5.1" (130 mm)	21.0" (533 mm)	2.9" (74 mm)	18.8" (478 mm)	0.98" (25 mm)	0.40 + (0.0088 x N) "	

* Note: N=Number of Plates

Grundfos Commercial Buildings

Grundfos is a leading supplier of full-range pump solutions from water supply to wastewater discharge and every application in between.

At Grundfos, we think beyond the pump. Our goal is to understand the building as a whole in order to develop solutions built with intelligence and adaptability.

This approach has made us a preferred partner for contractors, consulting engineers and building owners as they look to build the most sustainable and efficient commercial buildings in the world.

L-HE-SL-001 06-15
GRUNDFOS
902 Koomey Road
Brookshire, TX 77423
USA
(+1) 281-994-2700
(+1) 800-955-5847
www.grundfosexpresssuite.com