

Peerless Pump

Heavy Duty Process/ Paper Stock/Slurry Pump

The Peerless Pump 8175 Industrial Pump

The Peerless Pump 8175 Series process pump is manufactured for a wide range of flow and head requirements. The 8175 Series pumps is engineered to lower your operating costs over time. Designed for endurance, it is possible to replace only the back-pullout assembly without having to remove the coupling and motor. Casings are extra thick, and shafts and bearings are heavy-duty, making the 8175 the ideal pump for the toughest of services. The 8175 Series pump is interchangeable with competitors' pumps, making it possible to retrofit existing installations with quality Peerless Pump products. All 8175 Series power ends are backed with Peerless Pump's three-year warranty.

Applications

The 8175 Series pumps fit a wide range of applications. They will handle solids, paper stock and slurry, entrained air, and abrasive liquids. These pumps are extensively used in the **pulp and paper, chemical, wastewater, pharmaceutical, plastics, steel, and refining industries**. Many alloys, options, and sealing systems make it an ideal choice for almost any application.

Features

The 8175 Series casing is a **self-venting, top centerline discharge** with a fully confined gasket. The renewable side plate, which comes standard on all 8175 pumps, **protects the casing against wear** in abrasive

applications; this plate can be provided in a variety of wear-resistant alloys. The standard dual-volute casing serves to balance radial forces, thus **extending shaft, seal, and bearing life**.

Our impellers are a fully-open design that **resist clogging—even with up to 6% pulp**. Multiple vane configurations are available to suit your application. All impellers are keyed and bolted, to **prevent accidental loosening of the impeller** in case of reverse rotation, and they are dynamically balanced, giving **longer bearing and seal life**. Integral back pump-out vanes reduce stuffing box pressure, prolonging bearing life, as well as extending the life of the packing or mechanical seal. The heavy-duty cast iron bearing frame is coated internally to prevent contamination of the oil or bearings from the inside. The VBXD® labyrinth oil seal by Impro/Seal®, designed especially for Peerless Pump, provides both static and dynamic sealing to **protect bearings from environmental contamination**, and prevents vapor transfer into the pump's powerframe.

The shaft is designed with a maximum .002" deflection at the seal chamber face. It comes standard with a replaceable sleeve, available in multiple materials. The threaded area of the shaft is **protected against corrosion** from the pumped liquid with O-rings on the impeller hub and on the impeller bolt.

Quality Engineering

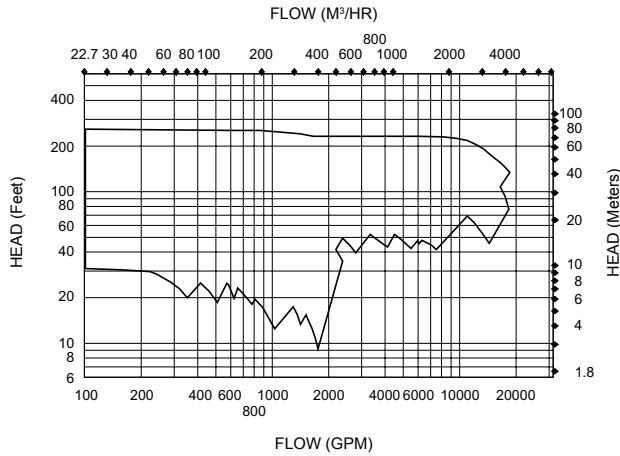
Peerless Pump designs tough, versatile products to meet your pumping needs. The 8175 Series delivers **variety, durability, standardized options and configurations** unequalled in the industry. Please contact your local authorized Peerless Pump sales office to find out more about the 8175 Series, options and prices.

Specifications

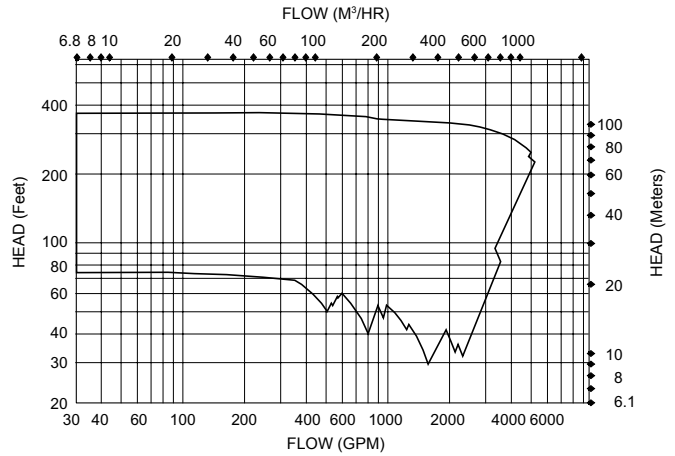
Capacities:	Up to 18,500 gpm (4,202 m ³ /hr)
Head:	Up to 350 feet (107 meters)
Pressure:	Up to 285 psi (1,965 KPa)
Horsepower:	Up to 750 hp (560 kW)
Temperature:	Up to 450 °F (232 °C)
Drives:	Motors, engines, steam turbine
Liquids:	Pulp and paper, chemical, or any liquid
Materials:	Cast Iron, 316SS, CD4MCu, 317SS, Alloy 20



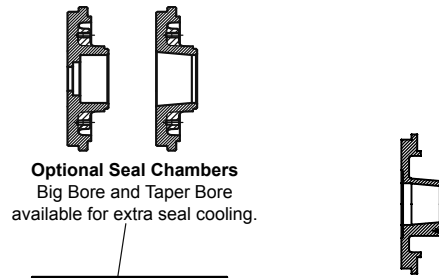
8175 Series Range Chart - 1150 RPM



8175 Series Range Chart - 1750 RPM



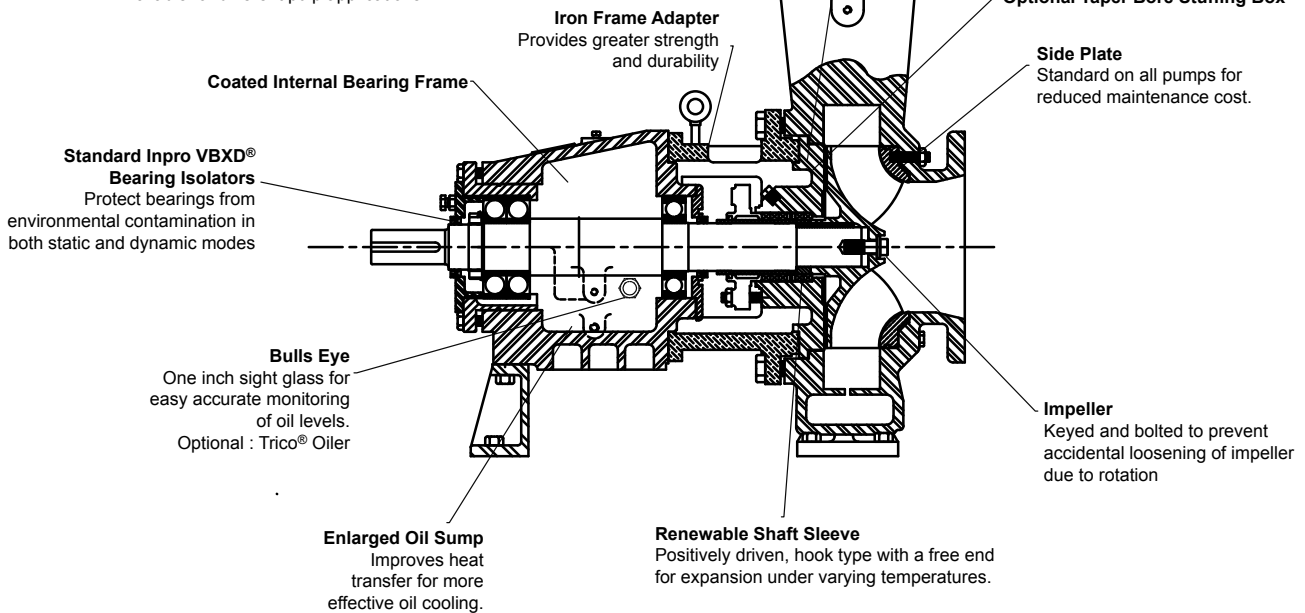
Multiple Vane Impellers
Available for different pulp applications.



Optional Seal Chambers
Big Bore and Taper Bore available for extra seal cooling.

Optional Taper Bore Stuffing Box

Side Plate
Standard on all pumps for reduced maintenance cost.



Peerless Pump Company
P.O. Box 7026
Indianapolis, IN 46207-7026
(317)925-9661, Fax: (317)924-7388
www.peerlesspump.com

