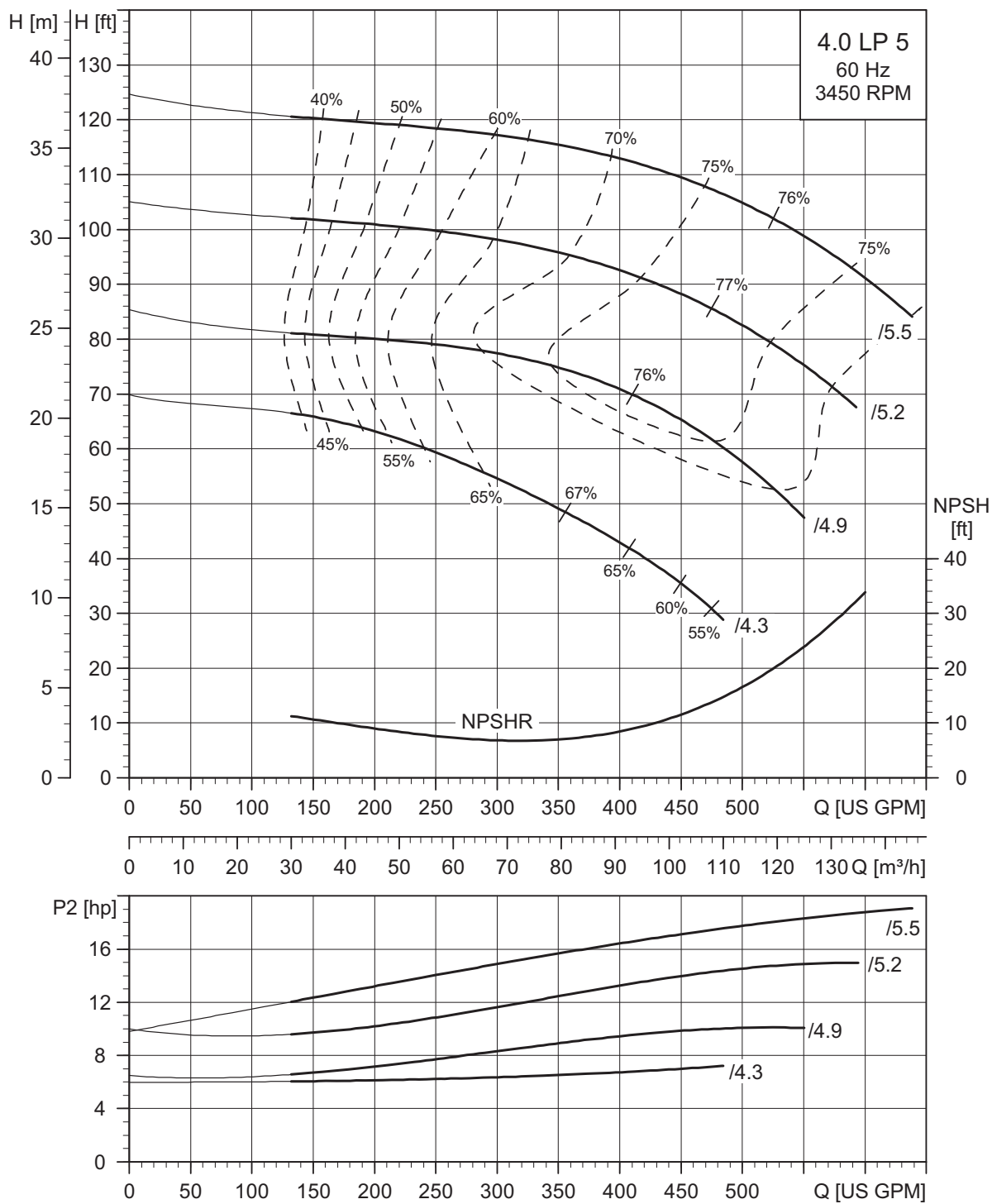
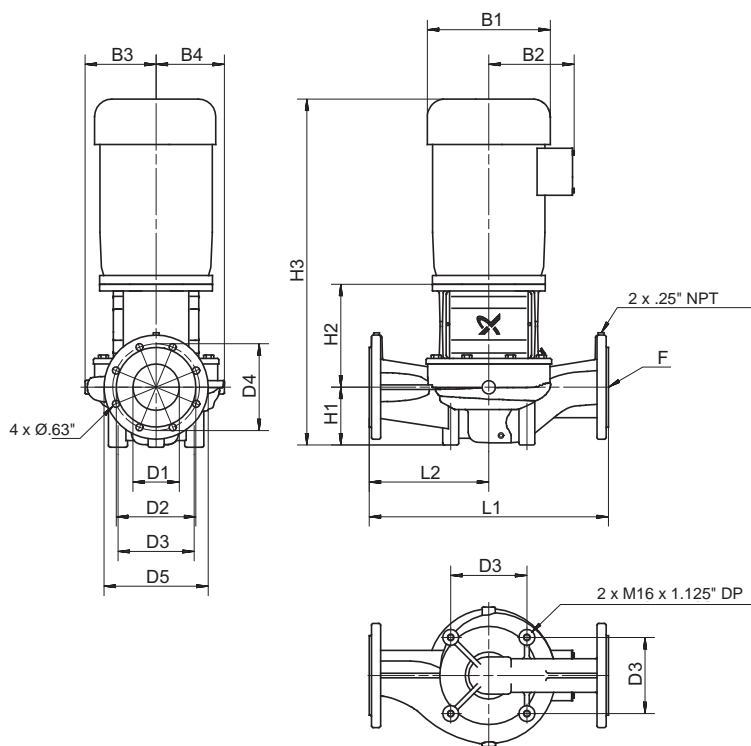


4.0 LP 5/XX



TM02 4975 0211

4.0 LP 5/XX



TM02 4963 0211

Electrical data, weights and dimensions

Pump type	Hp	Mtr S.F.	Ph	NEMA Frame size	Volts	Dimensions [inches (mm)]												Ship. wt. [lbs]	
						D1	D3	D4	D5	B1	B2	B3	B4	H1	H2	H3	L1		L2
4.0 LP 5/4.3	7.5	1.15	1	213TC	208-230	4 (102)	6.63 (168)	7.50 (191)	7.50 (191)	10.23 (260)	7.62 (194)	6.75 (171)	5.56 (141)	5.13 (130)	9.81 (249)	30.22 (768)	21.00 (533)	10.50 (267)	246
	7.5	1.15	3	215TC	208-230/ 460, 575*	4 (102)	6.63 (168)	7.50 (191)	7.50 (191)	10.23 (260)	8.06 (205)	6.75 (171)	5.56 (141)	5.13 (130)	9.81 (249)	30.22 (768)	21.00 (533)	10.50 (267)	208
4.0 LP 5/4.9	10	1.15	1	215TC	230	4 (102)	6.63 (168)	7.50 (191)	7.50 (191)	10.23 (260)	10.30 (262)	6.75 (171)	5.56 (141)	5.13 (130)	9.81 (249)	30.76 (781)	21.00 (533)	10.50 (267)	265
	10	1.15	3	215TC	208-230/ 460, 575*	4 (102)	6.63 (168)	7.50 (191)	7.50 (191)	10.23 (260)	8.06 (205)	6.75 (171)	5.56 (141)	5.13 (130)	9.81 (249)	30.22 (768)	21.00 (533)	10.50 (267)	309
4.0 LP 5/5.2	15	1.15	3	254TC	208-230/ 460, 575*	4 (102)	6.63 (168)	7.50 (191)	7.50 (191)	10.23 (260)	8.69 (221)	6.75 (171)	5.56 (141)	5.13 (130)	9.81 (249)	31.75 (807)	21.00 (533)	10.50 (267)	334
4.0 LP 5/5.5	20	1.15	3	284TC	208-230/ 460, 575*	4 (102)	6.63 (168)	7.50 (191)	7.50 (191)	13.26 (337)	9.49 (241)	6.75 (171)	5.56 (141)	5.13 (130)	9.00 (229)	34.32 (872)	21.00 (533)	10.50 (267)	440

Technical data

Nominal flow range	130 - 630 U.S. gpm
Min. flow rate	50 U.S. gpm
Head range	30 - 124 ft
Motors	TEFC (standard); ODP (optional)
Temp. range [°F (°C)]	+5° to +250° (-15° to +121°)
Max. working pressure	175 psi
Flanges:	4" ANSI 125 lb. F.F.

*575V available on request.