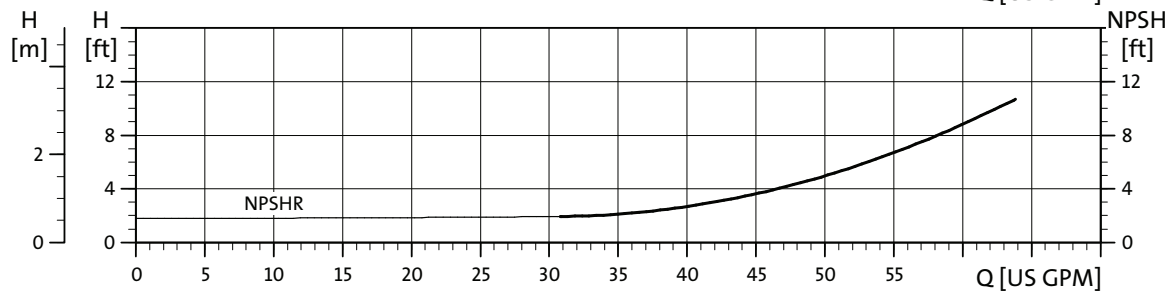
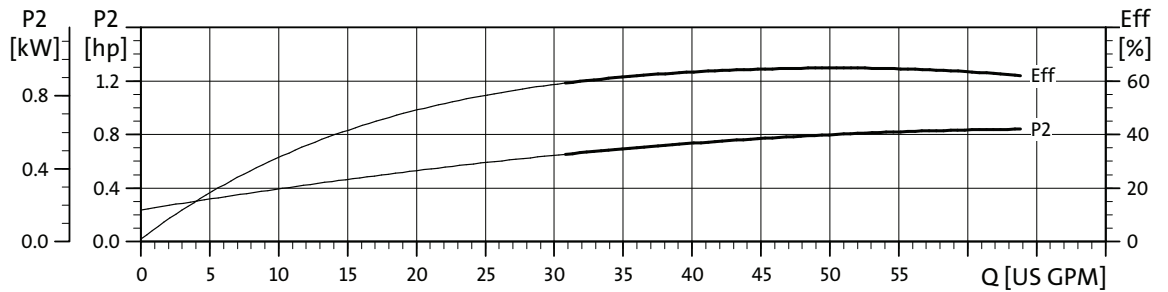
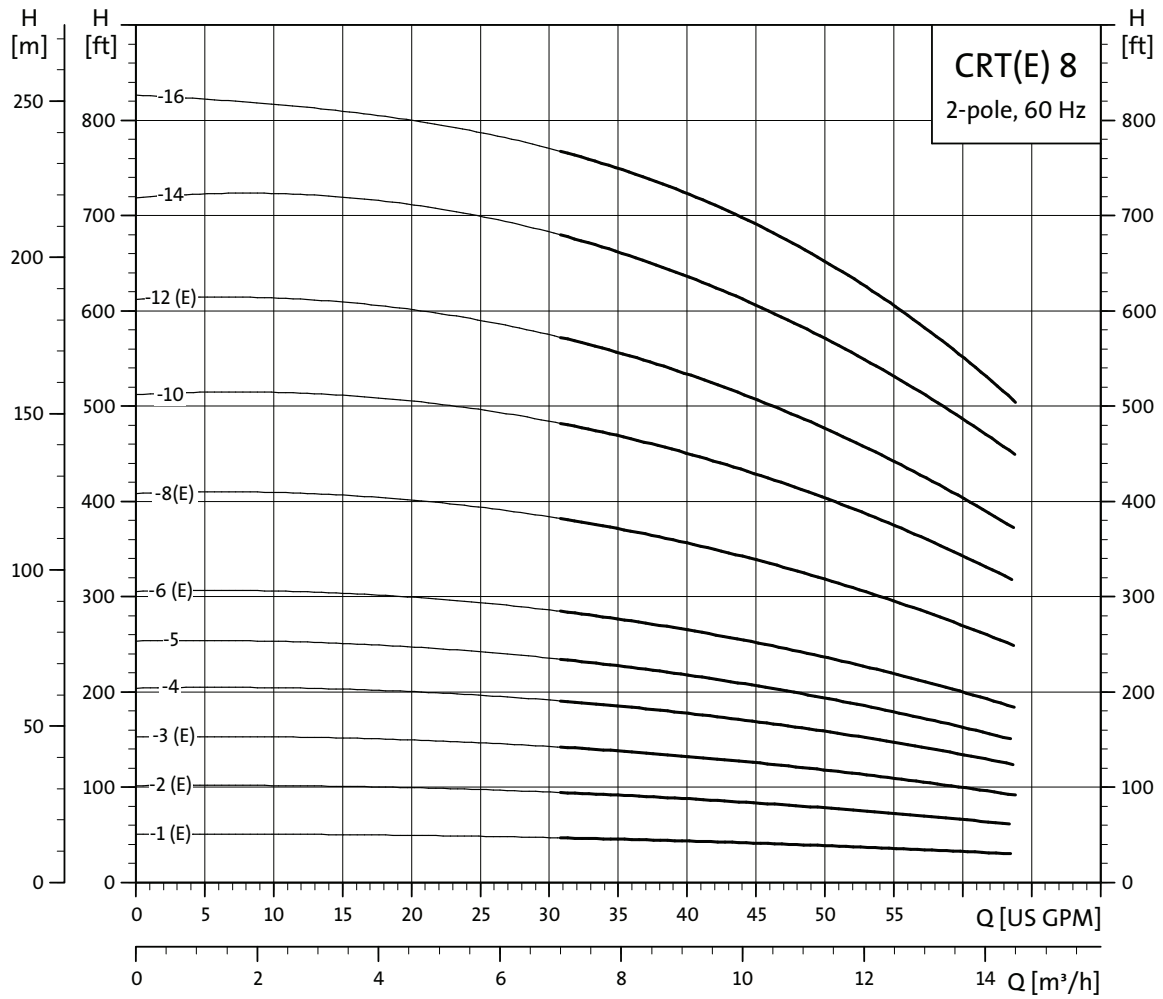


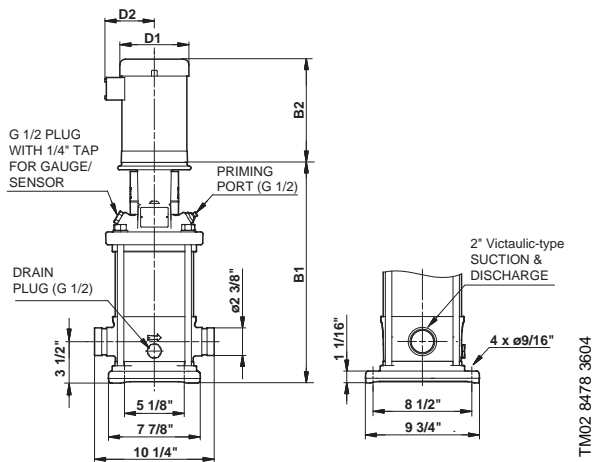
# Performance curves/ Technical data

CRT, CRTE 8



TM02 8332 3510

## Dimensional sketches



## Dimensions and weights

Pump Type	Hp	Ph	Voltage	Frame size	CRT TEFC					CRTE MLE			
					B1	D1	D2	B1+B2	Ship wt. [lbs.]	D1	D2	B1+B2	Ship wt. [lbs.]
CRT 8-1	0.75	1	115/208-230	56C	14.06	6.19	5.18	23.97	75	5.55	5.51	21.48	78
		3	208-230/460	56C	14.06	5.55	4.57	21.50	65	—	—	—	—
CRT 8-2	2.0	1	115-230	56C	14.69	7.19	5.73	27.25	100	—	—	—	—
		3	208-230/460	56C	14.69	7.01	4.33	25.91	91	7.01	6.57	27.49	109
CRT 8-3	3.0	1	115/208-230	182TC	17.05	8.60	6.87	31.70	131	—	—	—	—
		3	208-230/460	182TC	17.05	7.01	4.33	30.28	110	7.01	6.57	30.36	129
CRT 8-4	5.0	1	208-230	182TC	17.24	10.62	7.46	32.76	170	—	—	—	—
		3	208-230/460	182TC	17.24	8.66	5.28	32.75	168	—	—	—	—
CRT 8-5	5.0	1	208-230	182TC	19.61	10.62	7.46	35.13	174	—	—	—	—
		3	208-230/460	182TC	19.61	8.66	5.28	35.12	172	—	—	—	—
CRT 8-6	5.0	1	208-230	182TC	19.61	10.62	7.46	35.13	178	—	—	—	—
		3	208-230/460	182TC	19.61	8.66	5.28	35.12	176	8.66	7.40	35.12	165
CRT 8-8	7.5	1	208-230	213TC	25.59	10.22	7.62	41.12	197	—	—	—	—
		3	208-230/460	213TC	25.59	8.66	5.28	41.10	185	8.66	7.40	41.10	181
CRT 8-10	10	1	230	213TC	25.59	10.23	10.30	41.66	260	—	—	—	—
		3	208-230/460	213TC	25.59	8.66	5.28	41.10	193	—	—	—	—
CRT 8-12	10	1	230	213TC	30.31	10.23	10.30	46.38	266	—	—	—	—
		3	208-230/460	213TC	30.31	8.66	5.28	45.82	199	10.24	8.39	45.23	202
CRT 8-14	15	3	208-230/460	254TCZ	31.50	10.22	8.67	48.08	334	—	—	—	—
CRT 8-16	15	3	208-230/460	254TCZ	35.59	10.22	8.67	52.17	342	—	—	—	—