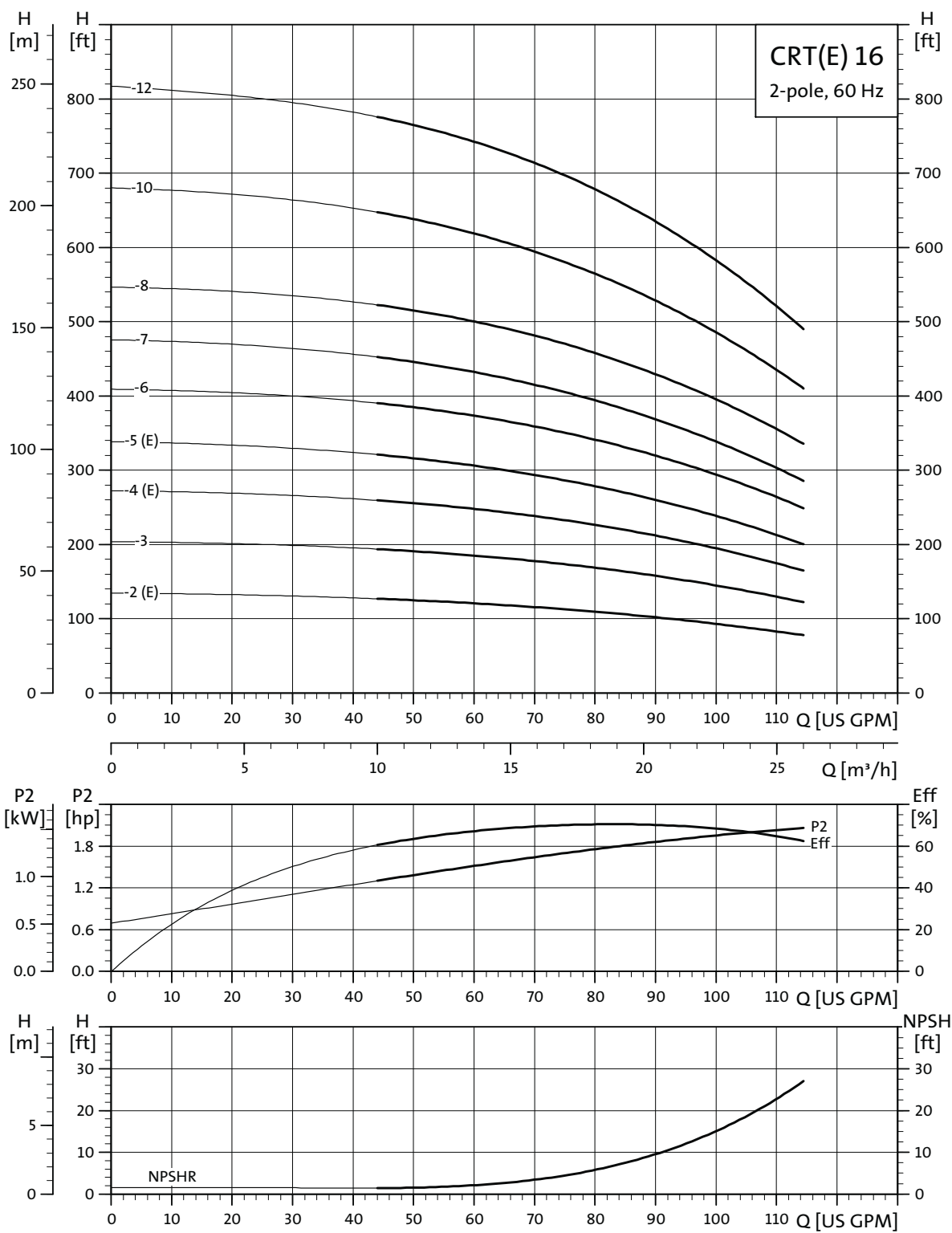


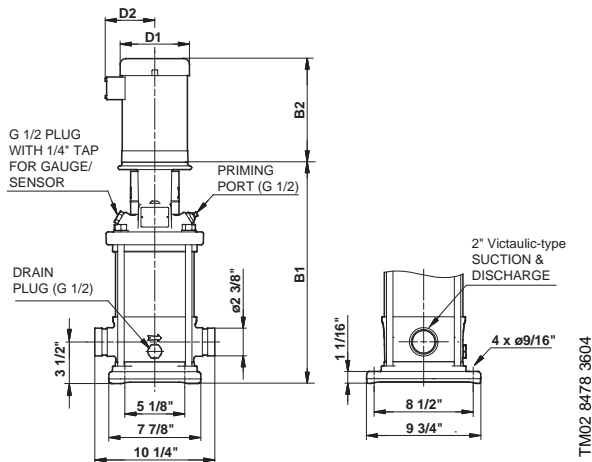
# Performance curves/ Technical data

CRT, CRTE 16



TM02 8333 0405

## Dimensional sketches



## Dimensions and weights

Pump Type	Hp	Ph	Voltage	Frame size	CRT TEFC					CRTE MLE			
					B1	D1	D2	B1+B2	Ship wt. [lbs.]	D1	D2	B1+B2	Ship wt. [lbs.]
CRT 16-2	5.0	1	208-230	182TC	18.23	10.62	7.46	33.75	161	—	—	—	—
		3	208-230/460	182TC	18.23	8.66	5.28	33.74	159	8.66	7.40	33.74	148
CRT 16-3	7.5	1	208-230	213TC	19.49	10.22	7.62	35.02	184	—	—	—	—
		3	208-230/460	213TC	19.49	8.66	5.28	35.00	172	—	—	—	—
CRT 16-4	7.5	1	208-230	213TC	23.03	10.22	7.62	38.56	189	—	—	—	—
		3	208-230/460	213TC	23.03	8.66	5.28	38.54	177	8.66	7.40	38.54	173
CRT 16-5	10	1	230	213TC	23.03	10.23	10.30	39.10	249	—	—	—	—
		3	208-230/460	213TC	23.03	8.66	5.28	38.54	182	10.24	8.39	37.95	185
CRT 16-6	15	3	208-230/460	254TCZ	27.76	10.22	8.67	44.34	307	—	—	—	—
CRT 16-7	15	3	208-230/460	254TCZ	27.76	10.22	8.67	44.34	311	—	—	—	—
CRT 16-8	15	3	208-230/460	254TCZ	33.07	10.22	8.67	49.65	316	—	—	—	—
CRT 16-10	20	3	230/460	254TCZ	33.07	10.22	8.67	49.65	329	—	—	—	—
CRT 16-12	25	3	230/460	284TSCZ	40.55	12.94	11.52	60.37	398	—	—	—	—