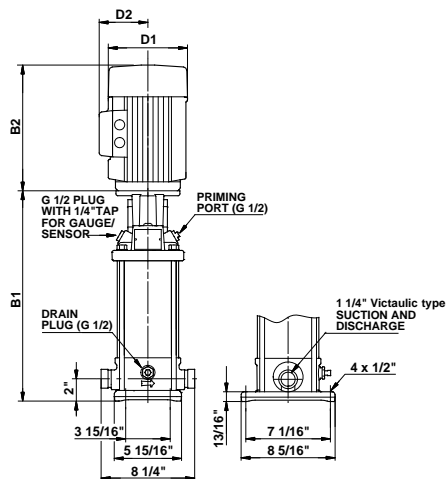
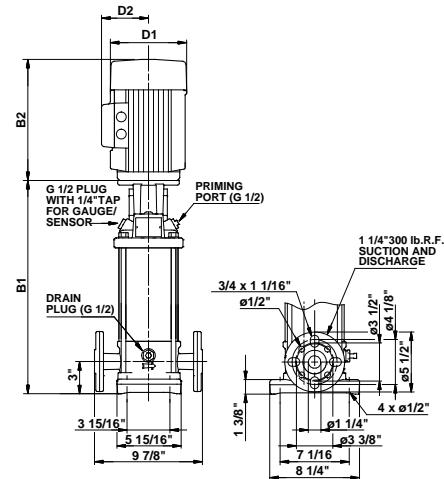


Technical data

CRN MAGdrive
CRN(E) 5



TM03 1454 2205



TM03 1453 2205

Pump type	Hp	Ph	PJE*	Dimensions					Ship Wt. [lbs]
				B1	B2	D1	D2	B1 + B2	
CRN(E) 5-2	1	3	*	15.47	11.35	6.19	5.19	26.82	74
CRN(E) 5-3	1.5	3	*	16.53	11.97	6.19	5.19	28.50	79
CRN 5-4	2	3	*	17.59	12.85	6.19	5.19	30.44	81
CRN(E) 5-5	2	3	*	18.66	12.85	6.19	5.19	31.51	98
CRN 5-6	3	3	*	20.84	12.55	7.19	5.72	33.39	121
CRN(E) 5-7	3	3	*	21.89	12.55	7.19	5.72	34.44	125
CRN 5-8	5	3	*	22.95	13.93	8.50	6.87	36.88	179
CRN 5-9	5	3	*	24.01	13.93	8.50	6.87	37.94	181
CRN(E) 5-10	5	3	*	25.07	13.93	8.50	6.87	39.00	184
CRN 5-11	5	3	*	26.14	13.93	8.50	6.87	40.07	226
CRN 5-12	5	3	*	27.20	13.93	8.50	6.87	41.13	231
CRN(E) 5-13	5	3	*	28.26	13.93	8.50	6.87	42.19	232
CRN 5-14	7.5	3	*	30.69	15.43	8.60	5.91	46.12	268
CRN 5-15	7.5	3	*	31.76	15.43	8.60	5.91	47.19	269
CRN(E) 5-16	7.5	3	*	32.82	15.43	8.60	5.91	48.25	270
CRN 5-18	7.5	3	*	34.96	15.43	8.60	5.91	50.39	272
CRN(E) 5-20	7.5	3	*	37.08	15.43	8.60	5.91	52.51	274
CRN 5-22	10	3	*	34.96	15.51	10.28	8.05	50.47	319

All pumps are three phase. All dimensions in inches unless otherwise noted.

* PJE flanged pump B1 and B1+B2 dimension is one inch less than ANSI flanged pump and weight is approximately 9 lbs. less.

• Available