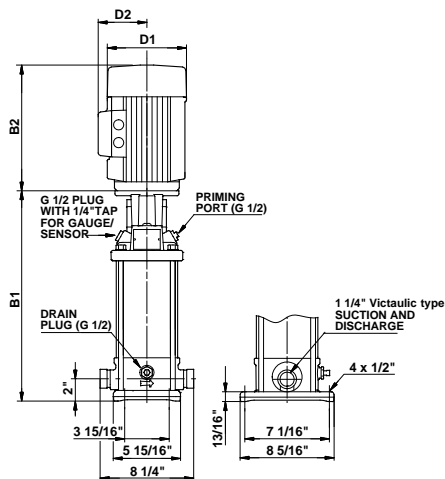
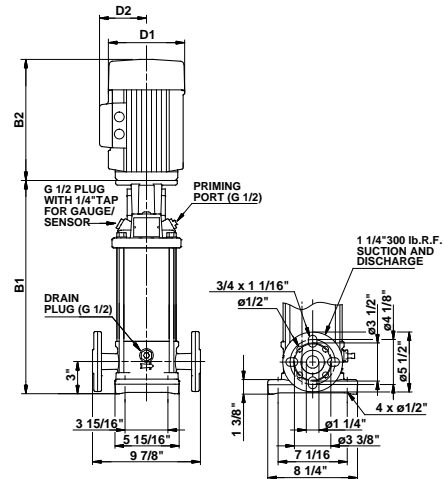


Technical data

CRN MAGdrive
CRN(E) 3



TM03 1454 2205



TM03 1453 2205

Pump type	Hp	Ph	PJE*	Dimensions					Ship Wt. [lbs]
				B1	B2	D1	D2	B1 + B2	
CRN 3-2	0.5	3	*	15.47	11.35	6.19	5.19	26.82	73
CRN(E) 3-3	0.75	3	*	15.47	11.35	6.19	5.19	26.82	73
CRN 3-4	1	3	*	16.18	11.35	6.19	5.19	27.53	75
CRN(E) 3-5	1	3	*	16.88	11.35	6.19	5.19	28.23	76
CRN(E) 3-6	1.5	3	*	17.59	11.97	6.19	5.19	29.56	81
CRN 3-7	1.5	3	*	18.30	11.97	6.19	5.19	30.27	81
CRN 3-8	2	3	*	19.01	12.85	6.19	5.19	31.86	83
CRN(E) 3-9	2	3	*	19.72	12.85	6.19	5.19	32.57	84
CRN 3-10	2	3	*	20.43	12.85	6.19	5.19	33.28	101
CRN 3-11	3	3	*	22.26	12.55	7.19	5.72	34.81	127
CRN(E) 3-12	3	3	*	22.96	12.55	7.19	5.72	35.51	128
CRN 3-13	3	3	*	23.66	12.55	7.19	5.72	36.21	161
CRN(E) 3-15	5	3	*	25.07	13.93	8.50	6.87	39.00	183
CRN 3-17	5	3	*	26.49	13.93	8.50	6.87	40.42	185
CRN(E) 3-19	5	3	*	27.91	13.93	8.50	6.87	41.84	186
CRN 3-21	5	3	*	29.32	13.93	8.50	6.87	43.25	235
CRN 3-23	5	3	*	30.74	13.93	8.50	6.87	44.67	236
CRN(E) 3-25	5	3	*	32.16	13.93	8.50	6.87	46.09	238

All pumps are three phase. All dimensions in inches unless otherwise noted.

* PJE flanged pump B1 and B1+B2 dimension is one inch less than ANSI flanged pump and weight is approximately 9 lbs. less.

• Available