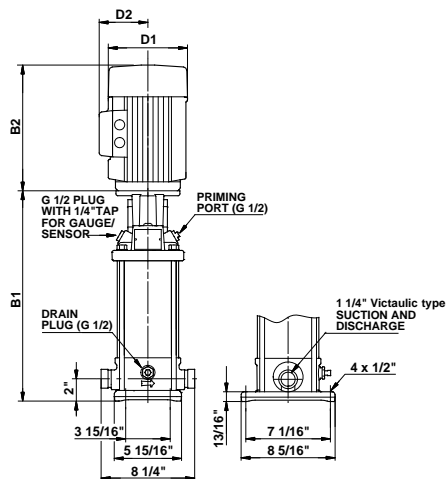
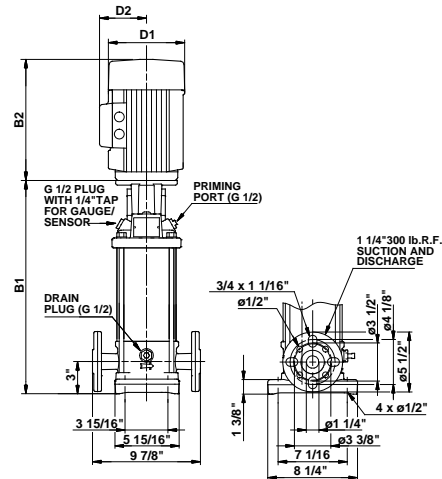


Technical data

CRN MAGdrive
CRN(E) 1



TM03 1454 2205



TM03 1453 2205

Pump type	Hp	Ph	PJE*	Dimensions					Ship Wt. [lbs]
				B1	B2	D1	D2	B1 + B2	
CRN 1-2	0.5	3	*	15.47	11.35	6.19	5.19	26.82	73
CRN 1-3	0.5	3	*	15.47	11.35	6.19	5.19	26.82	73
CRN 1-4	0.75	3	*	16.18	11.35	6.19	5.19	27.53	74
CRN(E) 1-5	0.75	3	*	16.88	11.35	6.19	5.19	28.23	75
CRN 1-6	1	3	*	17.59	11.35	6.19	5.19	28.94	77
CRN(E) 1-7	1	3	*	18.30	11.35	6.19	5.19	29.65	78
CRN 1-8	1.5	3	*	19.01	11.97	6.19	5.19	30.98	83
CRN 1-9	1.5	3	*	19.72	11.97	6.19	5.19	31.69	84
CRN(E) 1-10	1.5	3	*	20.43	11.97	6.19	5.19	32.40	79
CRN 1-11	1.5	3	*	21.14	11.97	6.19	5.19	33.11	81
CRN 1-12	2	3	*	21.84	12.85	6.19	5.19	34.69	87
CRN(E) 1-13	2	3	*	22.55	12.85	6.19	5.19	35.40	88
CRN(E) 1-15	2	3	*	23.97	12.85	6.19	5.19	36.82	109
CRN 1-17	3	3	*	26.51	12.55	7.19	5.72	39.06	127
CRN(E) 1-19	3	3	*	26.81	12.55	7.19	5.72	39.36	132
CRN 1-21	3	3	*	29.32	12.55	7.19	5.72	41.87	172
CRN(E) 1-23	5	3	*	30.74	13.93	8.50	6.87	44.67	193
CRN 1-25	5	3	*	32.16	13.93	8.50	6.87	46.09	195
CRN(E) 1-27	5	3	*	33.58	13.93	8.50	6.87	47.51	197

All pumps are three phase. All dimensions in inches unless otherwise noted.

* PJE flanged pump B1 and B1+B2 dimension is one inch less than ANSI flanged pump and weight is approximately 9 lbs. less.

• Available