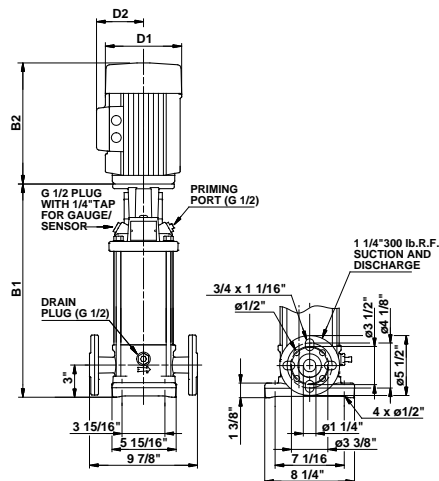


TM03 1454 2205



TM03 1453 2205

Pump type	Hp	Ph	PJE*	Dimensions					Ship Wt. [lbs]
				B1	B2	D1	D2	B1 + B2	
CRN 1s-2	0.5	3	*	15.47	11.35	6.19	5.19	26.82	73
CRN 1s-3	0.5	3	*	15.47	11.35	6.19	5.19	26.82	73
CRN 1s-4	0.5	3	*	16.18	11.35	6.19	5.19	27.53	74
CRN 1s-5	0.5	3	*	16.88	11.35	6.19	5.19	28.23	75
CRN 1s-6	0.75	3	*	17.59	11.35	6.19	5.19	28.94	76
CRN 1s-7	0.75	3	*	18.30	11.35	6.19	5.19	29.65	77
CRN 1s-8	0.75	3	*	19.01	11.35	6.19	5.19	30.36	78
CRN 1s-9	1	3	*	19.72	11.35	6.19	5.19	31.07	79
CRN 1s-10	1	3	*	20.43	11.35	6.19	5.19	31.78	80
CRN 1s-11	1	3	*	21.14	11.35	6.19	5.19	32.49	81
CRN 1s-12	1	3	*	21.84	11.35	6.19	5.19	33.19	82
CRN 1s-13	1.5	3	*	22.55	11.97	6.19	5.19	34.52	87
CRN 1s-15	1.5	3	*	23.97	11.97	6.19	5.19	35.94	89
CRN 1s-17	1.5	3	*	25.39	11.97	6.19	5.19	37.36	89
CRN 1s-19	2	3	*	26.81	12.85	6.19	5.19	39.66	96
CRN 1s-21	2	3	*	28.22	12.85	6.19	5.19	41.07	98
CRN 1s-23	2	3	*	29.64	12.85	6.19	5.19	42.49	99
CRN 1s-25	3	3	*	32.18	12.55	7.19	5.72	44.73	142
CRN 1s-27	3	3	*	33.59	12.55	7.19	5.72	46.14	144

All pumps are three phase. All dimensions in inches unless otherwise noted.

* PJE flanged pump B1 and B1+B2 dimension is one inch less than ANSI flanged pump and weight is approximately 9 lbs. less.

• Available