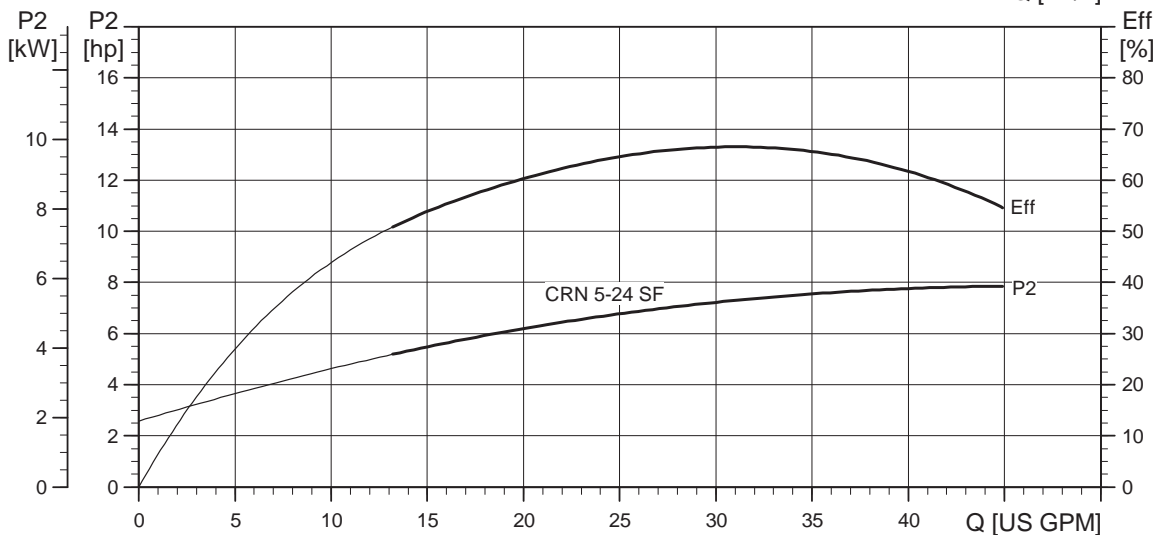
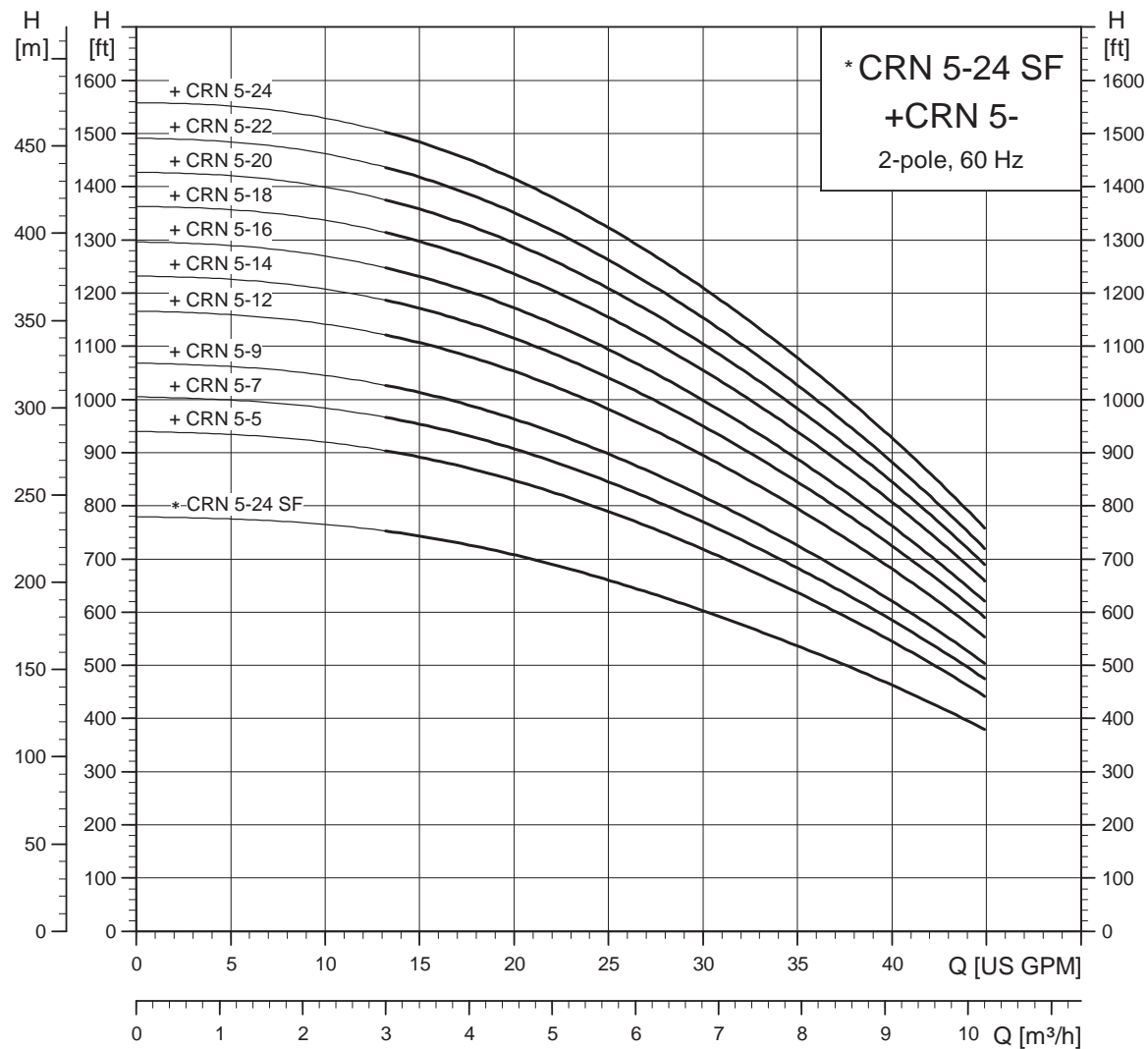
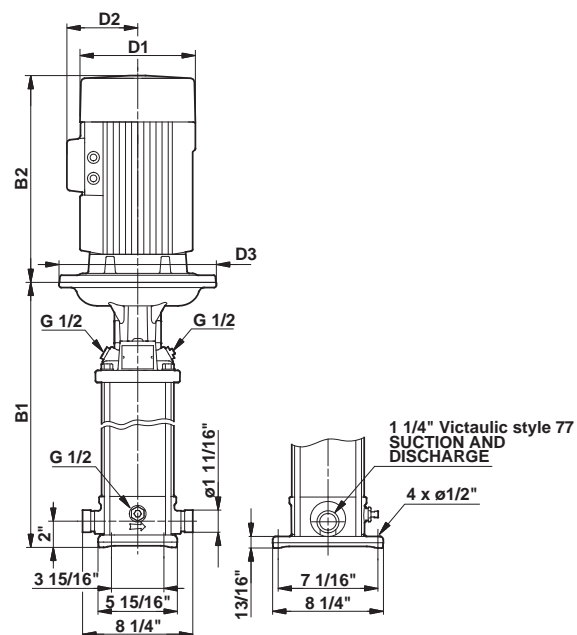


CRN 5-SF

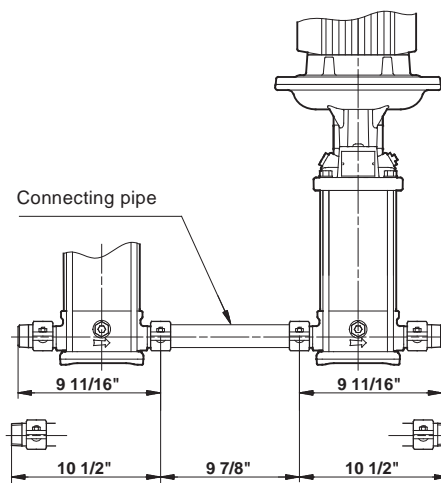


TM02 8310 2806

Dimensional sketches



CRN feed pump/CRN SF high-pressure pump



CRN feed pump, connecting pipe and CRN SF high-pressure pump

TM02 8848 1906

TM02 8849 0904

Dimensions and weights

Pump type	Hp	Ph	Voltage [V]	Frame size	Dimensions				PJE ship wt. ¹ [lbs]
					PJE B1	TEFC D1	TEFC D2	PJE TEFC B1+B2	
CRN 5-5	2	1	115/208-230	56C	15.28	7.19	5.73	27.84	92
		3	208-230/460	56C	15.28	7.01	4.33	26.50	79
CRN 5-7	3	1	115/208-230*	182TC	18.51	8.60	6.87	33.16	127
		3	208-230/460	182TC	18.51	7.01	4.33	31.74	98
CRN 5-9	3	1	115/208-230	182TC	20.63	8.60	6.87	35.28	130
		3	208-230/460	182TC	20.63	7.01	4.33	33.86	101
CRN 5-12	5	1	208-230**	182TC	23.82	10.62	7.46	39.34	161
		3	208-230/460	182TC	23.82	8.66	5.28	39.33	154
CRN 5-14	5	1	208-230**	182TC	25.94	10.62	7.46	41.46	163
		3	208-230/460	182TC	25.94	8.66	5.28	41.45	160
CRN 5-16	5	1	208-230**	182TC	28.07	10.62	7.46	43.59	166
		3	208-230/460	182TC	28.07	8.66	5.28	43.58	162
CRN 5-18	7 1/2	1	208-230	213TC	30.71	10.22	7.62	46.24	184
		3	208-230/460	213TC	30.71	8.66	5.28	46.22	171
CRN 5-20	7 1/2	1	208-230	213TC	32.83	10.22	7.62	48.36	187
		3	208-230/460	213TC	32.83	8.66	5.28	48.34	174
CRN 5-22	7 1/2	1	208-230	213TC	34.96	10.22	7.62	50.49	283
		3	208-230/460	213TC	34.96	8.66	5.28	50.47	270
CRN 5-24	7 1/2	1	208-230	213TC	37.09	10.22	7.62	52.62	286
		3	208-230/460	213TC	37.09	8.66	5.28	52.60	273
CRN 5-24SF	10	3	460	132SB	35.59	10.24	6.26	50.51	28.5