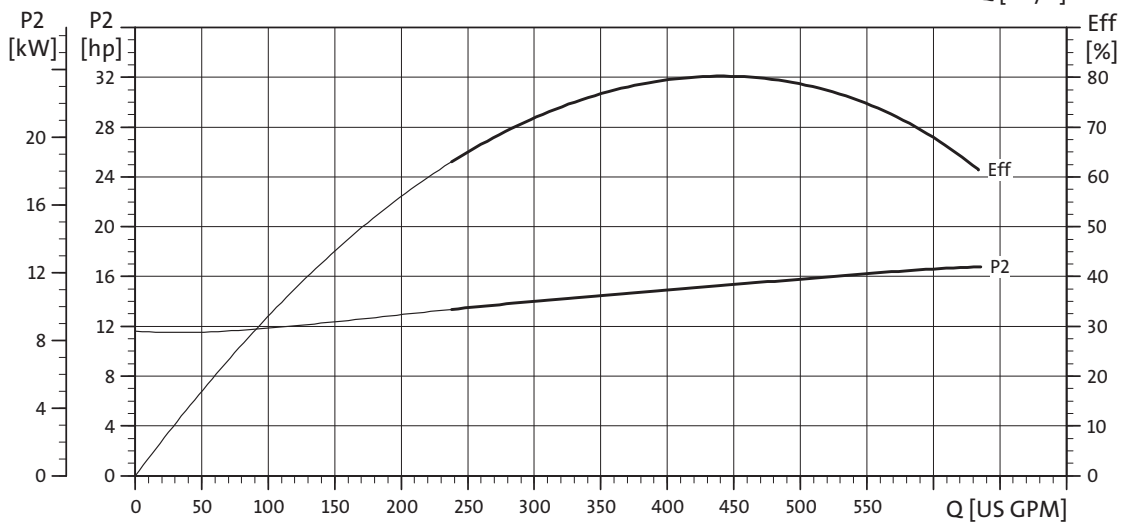
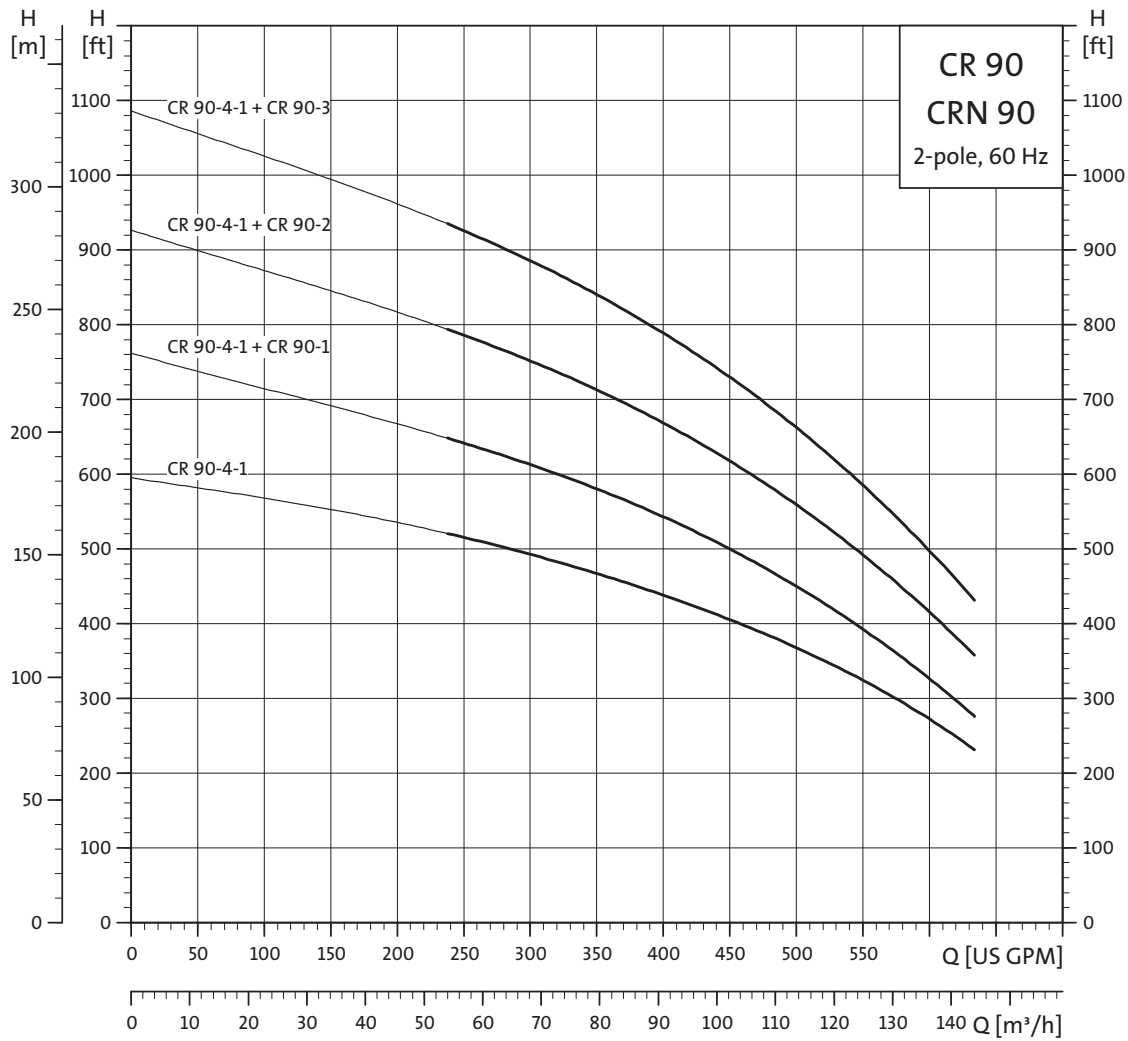
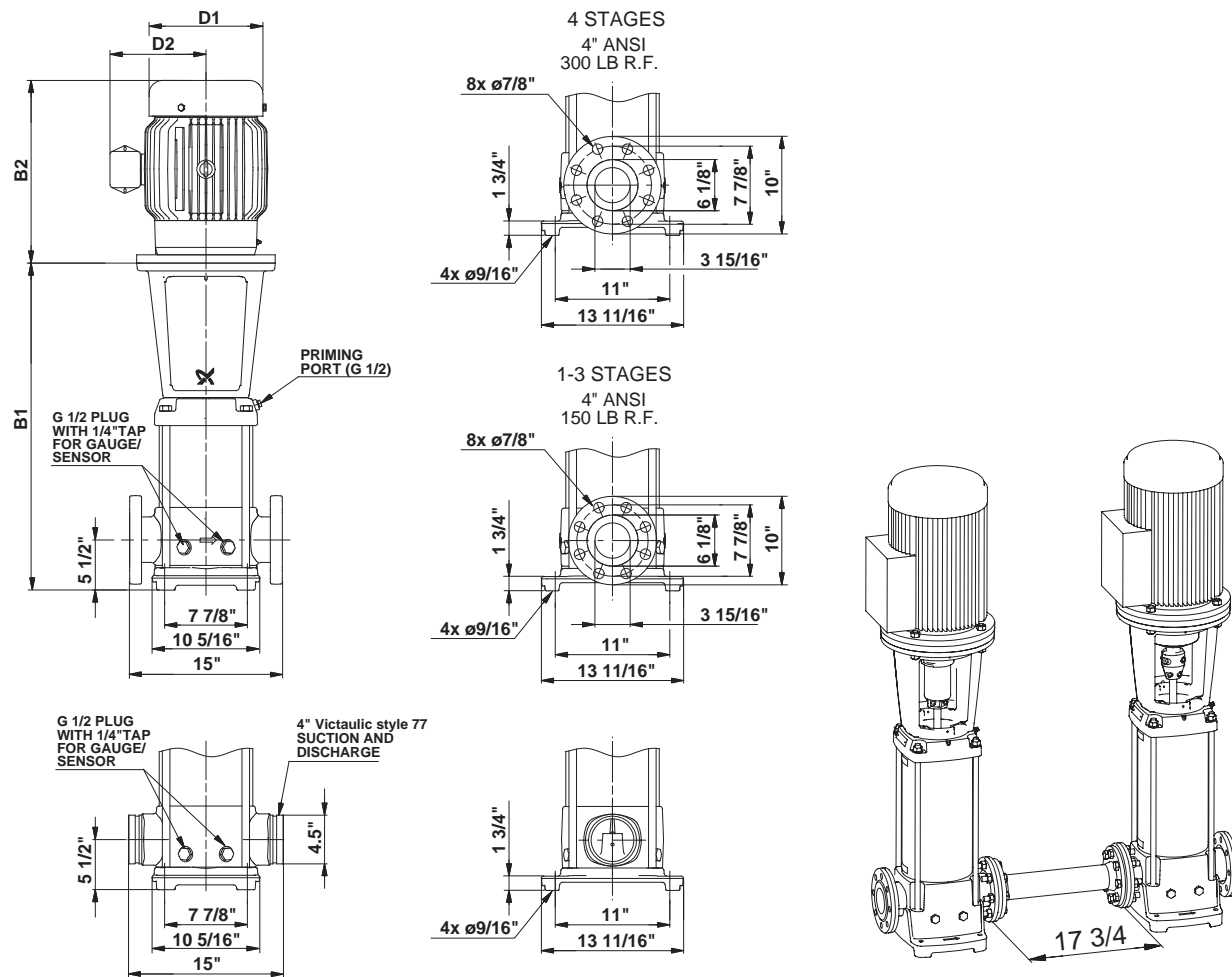


CR, CRN 90



TM02 8320 2406

Dimensional sketches



CR, CRN feed pump/CR, CRN high-pressure pump

CR, CRN feed pump, connecting pipe and CR, CRN high-pressure pump

TM03 4287 1906 q- TM03 3414 0306

Dimensions and weights

| Pump Type | Hp | Ph | Voltage [V] | NEMA Frame Size | PJE B1 | ANSI B1 | TEF D1 | TEFC D2 | PJE TEFC B1+B2 | ANSI TEFC B1+B2 | ODP D1 | ODP D2 | PJE ODP B1+B2 | ANSI ODP B1+B2 | ANSI Ship wt. ¹ [lbs.] |
|----------------|----|----|-------------|-----------------|--------|---------|--------|---------|----------------|-----------------|--------|--------|---------------|----------------|-----------------------------------|
| CR, CRN 90-1 | 20 | 3 | 208-230/460 | 254TC | 26.81 | 26.81 | 10.22 | 8.67 | 43.39 | 43.39 | 11.50 | 8.92 | 46.50 | 46.50 | 398 |
| CR, CRN 90-2 | 40 | 3 | 230/460 | 286TSC | 30.43 | 30.43 | 15.32 | 13.11 | 53.62 | 53.62 | 13.25 | 12.21 | 53.68 | 53.68 | 631 |
| CR, CRN 90-3 | 50 | 3 | 230/460 | 324TSC | 34.06 | 34.06 | 16.88 | 14.12 | 61.87 | 61.87 | 13.25 | 12.21 | 56.81 | 56.81 | 672 |
| CR, CRN 90-4-1 | 60 | 3 | 230/460 | 364TSC | 37.68 | 37.68 | 19.00 | 14.90 | 68.47 | 68.47 | 15.12 | 13.19 | 63.81 | 63.81 | 876 |