

Pipework connection

For pipework connection, various sets of counter flanges and couplings are available.

CR, CRN counter flanges

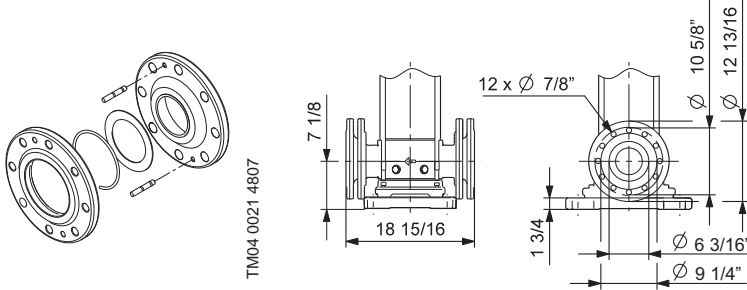
Counter flanges for CR, CRN pumps are made of stainless steel according to AISI 316.

A set consists of two counter flanges, two gaskets, bolts and nuts.

		TM02 5693 + 5694 3802	CR 32	Threaded	ANSI 150 lb.	2½" NPT	91121951
			CRN 32	Threaded	ANSI 300 lb.	2½" NPT	0ID00138
		TM02 5695 + 5696 3802	CR 45	Threaded	ANSI 150 lb.	3" NPT	91121953
			CRN 45	Threaded	ANSI 300 lb.	3" NPT	91121954
		TM02 5697 + 5698 3802	CR 64	Threaded	ANSI 150 lb.	4" NPT	0ID00148
			CRN 64	Threaded	ANSI 300 lb.	4" NPT	91121955
			CR(E) 120	Threaded	ANSI 125 lb.	5" NPT	91121956
			CR(E) 150	Threaded	ANSI 250 lb.	5" NPT	91121957
			CRN(E) 120	Threaded	ANSI 150 lb.	5" NPT	91121958
			CRN(E) 150	Threaded	ANSI 300 lb.	5" NPT	91121959

Adapter kit

6" flanges are available for CR, CRN 120 and 150 pumps. To use 6" flanges, two adapter kits must be ordered per pump.

Adapter kit	Pump type	Pipe connection	Number of flange kits needed	Product number
 <p data-bbox="418 659 440 785">TM04.0021.4807</p>	<p>CR 120 CR 150</p>	<p>6" RF 250 lb. Ductile iron</p>	<p>2</p>	<p>96638184</p>
	<p>CRN 120 CRN 150</p>	<p>6" RF 300 lb. ANSI 316 SS</p>	<p>2</p>	<p>96638186</p>

Victaulic® type couplings with pipe stub

Couplings for CRN pumps are made of stainless steel according to AISI 316 (EN 1.4401).

A coupling set consists of a victaulic type coupling (style 77), rubber bushing, pipe stub, bolts and nuts. The number of sets needed for a complete pump is stated in fig. 18.

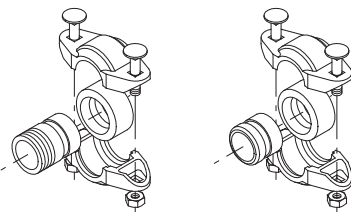
Coupling sets		Pump type	Pipe stub	Rated pressure	Pipework connection	Rubber parts	Number of coupling sets needed	Product number		
	TM00 3808 1094	CRNE-HS 1 CRNE-HS 3 CRN 5-SF	Threaded	1000 psi	1¼" NPT	EPDM	1*	4013010		
						FKM	1*	0ID00118		
					For welding	1000 psi	1¼"	EPDM	2	419912
								FKM	2	419904
				CRN 10-SF CRN 15-SF CRN 20-SF	Threaded	1000 psi	2" NPT	EPDM	1*	331301
								FKM	1*	0ID00128
					For welding	1000 psi	2"	EPDM	2	339910
								FKM	2	339917

Fig. 18 Victaulic type couplings (style 77) with pipe stubs for threaded or welded pipework connection

* Includes two sets of Victaulic type couplings and pipe stubs

Victaulic® type pipe stub

Pipe stubs for CRN pumps are made of stainless steel to AISI 316 (EN 1.4401).

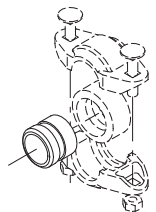
Pipe stub	Pump type	Rated pressure	Pipework connection	Product number	
	TM03 4636 2406	CRN 32 CRN 45 CRN 64 CRN 90 CRN 120 CRN 150	1000 psi	3"	00150574
			1000 psi	4"	96416743

Fig. 19 Victaulic type pipe stub for welded pipework connection

Victaulic® type coupling

A set includes one coupling (style 77), rubber bushing, bolts and nuts.


Coupling	Pump type	Rated pressure	Pipework connection	Product number				
				EPDM	FKM	NBR		
	TM03 4637 2406	CRNE-HS 1 CRNE-HS 3 CRN 5-SF	1000 psi 1¼"	0ID1781	00ID6742	-		
				CRN 10-SF CRN 15-SF CRN 20-SF	1000 psi 2"	00ID2643		
				CRN 32 CRN 45 CRN 64 CRN 90 CRN120 CRN150	1000 psi 4"	-		

Fig. 20 Victaulic type coupling (style 77)

Note: Victaulic® is a registered trademark of Victaulic.

Connecting pipe

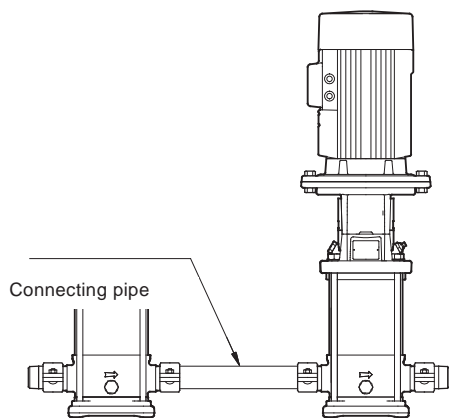


Fig. 21 CRN pumps with 316 stainless steel connecting pipe

Pump type	Pipework connection	Pipework type	Product number
CRN 5 SF	1 1/4"		400132
CRN 10-SF CRN 15-SF CRN 20-SF	2"	Victaulic type (style 77)	420138
CR, CRN 32	2 1/2"	ANSI	on request
	3"	Victaulic type (style 77)	on request
CR, CRN 45	3"	ANSI	on request
	4"	Victaulic type (style 77)	on request
CR, CRN 64	4"	ANSI	on request
CR, CRN 90	4"	Victaulic type (style77)	on request
CR, CRN 120	5"	ANSI	on request
CR, CRN 150	4"	Victaulic type (style77)	on request

Pressure sensor for CRNE-HS

Pump type	Pressure range	Product number
CRNE 1, 3 HS	0-870 psi	91136174

Pressure sensor include a 6 ft cable.

A priming valve with hollow stem is required when ordering a pressure sensor (product number 96527050).

LiqTec™

A dry-running protection device. The Grundfos LiqTec stops the pump immediately

- if there is no liquid in the pump (dry-running)
- if the liquid temperature exceeds 266°F ±9°F.

When connected to the PTC sensors in the motor, the LiqTec also protects the motor against overheating.

LiqTec is prepared for DIN rail mounting in a control cabinet.

Enclosure class: IP X0.

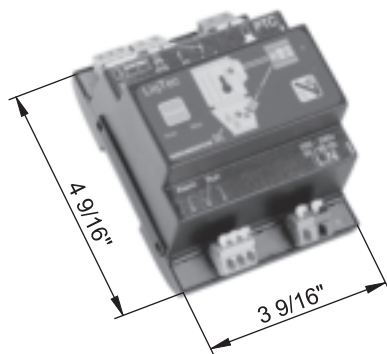


Fig. 22 Dimensions of the Liqtec

Dry-running protection	Pump type	Voltage [V]	LiqTec	Sensor 1/2"	Cable 16.4 ft	Extension cable 49.2 ft	Product number
		200-240	●	●	●	-	96556429
	CR, CRN	80-130	●	●	●	-	96556430
		-	-	-	-	●	96443676