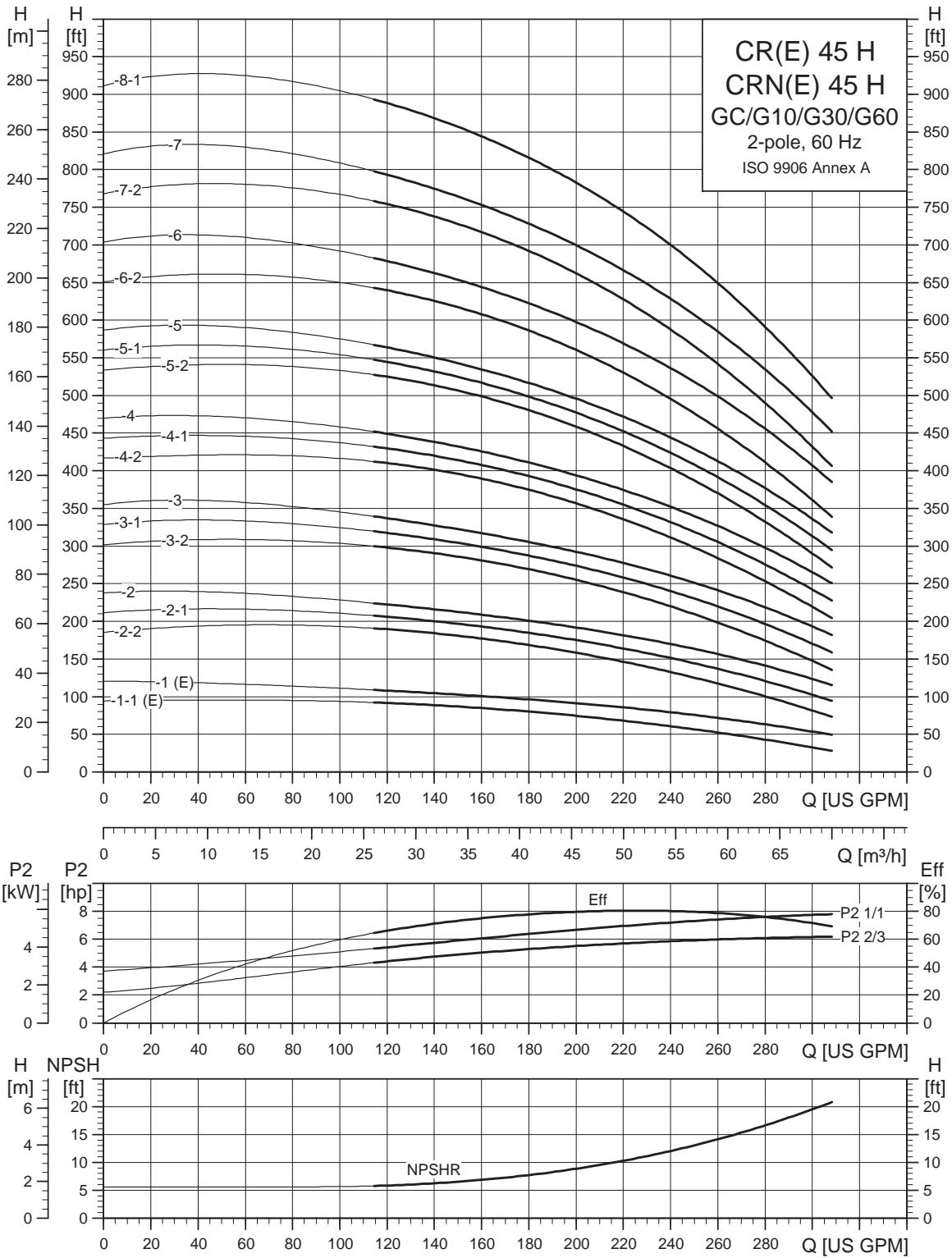
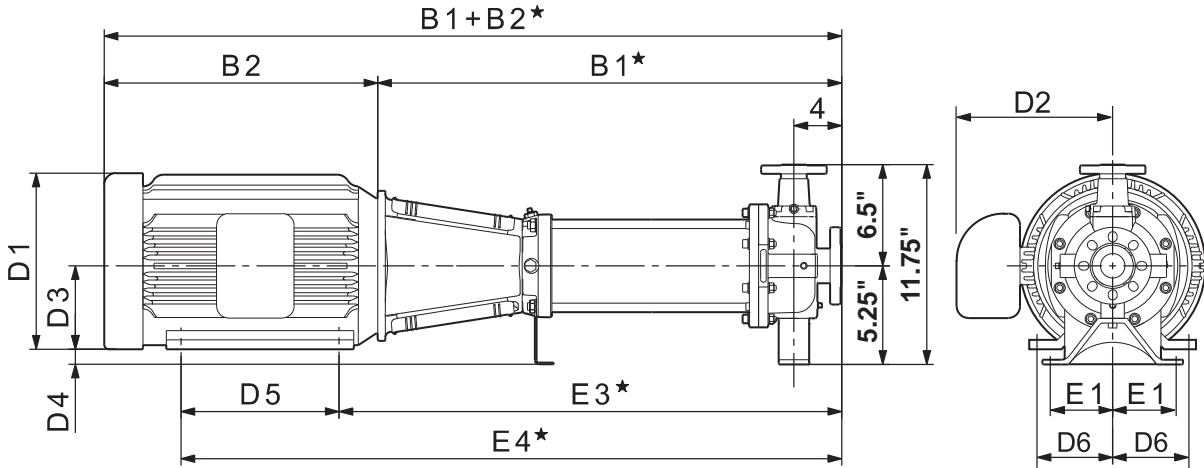


CR, CRE 45 H GC/G10/G30/G60



TM04 6297 4610

Dimensional sketches GC (3" x 2" x 6")



TM04 4872 0510

Dimensions and weights GC (3" x 2" x 6")

Pump type	Power [hp]	Ph	Dimensions [inches]										Ship. weight [lbs]	Dimensions [inches]			Ship. weight [lbs]				
			TEFC											ODP				MLE			
			B1*	B1+B2*	E1	E3*	E4*	D1	D2	D3	D4	D5		D6	D1	D2		B1+B2*	D1	D2	B1+B2*
CR(N)(E) 45-1-1 H	7.5	1	27.13	42.38	3.00	30.38	35.88	10.25	7.63	5.25	0.00	5.50	4.25	275	—	—	—	—	—	—	—
		3	27.13	42.63	3.00	30.38	35.88	8.75	5.38	5.25	0.00	5.50	4.25	259	—	—	—	8.75	7.50	42.63	273
CR(N)(E) 45-1 H	10	1	27.13	42.88	3.00	30.38	35.88	11.50	10.38	5.25	0.00	5.50	4.25	275	—	—	—	—	—	—	—
		3	27.13	42.63	3.00	30.38	35.88	8.75	5.38	5.25	0.00	5.50	4.25	259	—	—	—	8.75	7.50	42.63	273
CR(N) 45-2-2 H	15	3	30.25	50.50	3.00	34.25	42.50	12.63	9.50	6.25	-1.00	8.25	5.00	350	10.75	6.88	48.25	—	—	—	—
CR(N) 45-2-1 H	15	3	30.25	50.50	3.00	34.25	42.50	12.63	9.50	6.25	-1.00	8.25	5.00	350	10.75	6.88	48.25	—	—	—	—
CR(N) 45-2 H	15	3	30.25	50.50	3.00	34.25	42.50	12.63	9.50	6.25	-1.00	8.25	5.00	350	10.75	6.88	48.25	—	—	—	—
CR(N) 45-3-2 H	20	3	33.38	53.25	3.00	37.38	45.63	12.75	10.13	6.25	-1.00	8.25	5.00	392	11.50	9.00	51.13	—	—	—	—
CR(N) 45-3-1 H	25	3	33.38	54.88	3.00	37.88	47.38	12.75	12.13	7.00	-1.75	9.50	5.50	472	11.50	11.38	52.25	—	—	—	—
CR(N) 45-3 H	25	3	33.38	54.88	3.00	37.88	47.38	12.75	12.13	7.00	-1.75	9.50	5.50	472	11.50	11.38	52.25	—	—	—	—
CR(N) 45-4-2 H	30	3	36.63	58.00	3.00	41.13	52.13	12.75	12.13	7.00	-1.75	11.00	5.50	709	11.50	11.38	56.88	—	—	—	—
CR(N) 45-4-1 H	30	3	36.63	58.00	3.00	41.13	52.13	12.75	12.13	7.00	-1.75	11.00	5.50	709	11.50	11.38	56.88	—	—	—	—
CR(N) 45-4 H	30	3	36.63	58.00	3.00	41.13	52.13	12.75	12.13	7.00	-1.75	11.00	5.50	709	11.50	11.38	56.88	—	—	—	—
CR(N) 45-5-2 H	40	3	39.75	61.13	3.00	44.25	55.25	15.63	12.13	7.00	-1.75	11.00	5.50	732	11.50	11.38	60.63	—	—	—	—
CR(N) 45-5-1 H	40	3	39.75	61.13	3.00	44.25	55.25	15.63	12.13	7.00	-1.75	11.00	5.50	732	11.50	11.38	60.63	—	—	—	—
CR(N) 45-5 H	40	3	39.75	61.13	3.00	44.25	55.25	15.63	12.13	7.00	-1.75	11.00	5.50	732	11.50	11.38	60.63	—	—	—	—
CR(N) 45-6-2 H	50	3	42.88	68.00	3.00	47.88	59.88	16.50	14.63	8.00	-2.75	12.00	6.25	777	13.38	12.25	64.75	—	—	—	—
CR(N) 45-6 H	50	3	42.88	68.00	3.00	47.88	59.88	16.50	14.63	8.00	-2.75	12.00	6.25	777	13.38	12.25	64.75	—	—	—	—
CR(N) 45-7-2 H	50	3	46.00	71.13	3.00	51.00	63.00	16.50	14.63	8.00	-2.75	12.00	6.25	796	13.38	12.25	68.00	—	—	—	—
CR(N) 45-7 H	60	3	46.00	73.13	3.00	51.63	62.88	17.00	14.63	9.00	-3.75	11.25	7.00	975	15.13	11.63	69.88	—	—	—	—
CR(N) 45-8-1 H	60	3	49.13	76.38	3.00	54.75	66.00	17.00	14.63	9.00	-3.75	11.25	7.00	985	15.13	11.63	73.00	—	—	—	—

Note: Terminal box is on top of motor on 3-phase up to 10 hp. All other motors have terminal box on the side. Reference D2 dimension. Weights are based on pump with TEFC motor.

★ Add 0.16 inches for CRN-H dimensions.