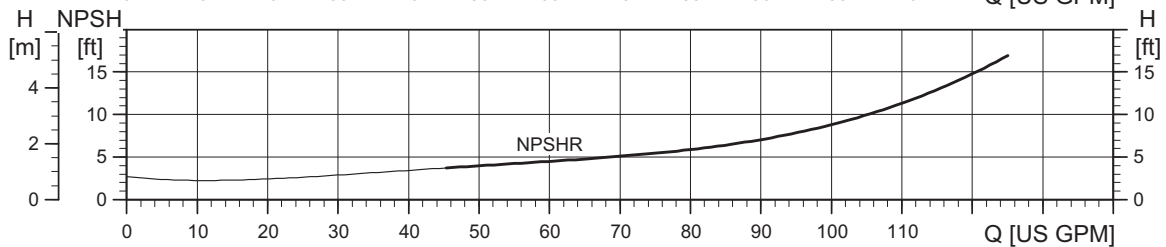
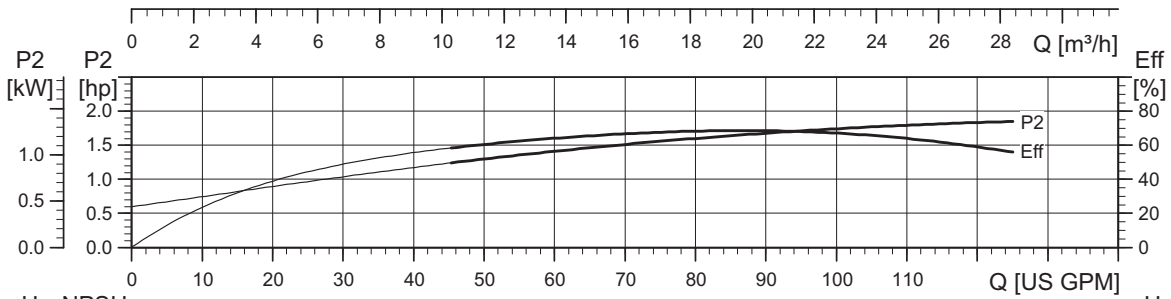
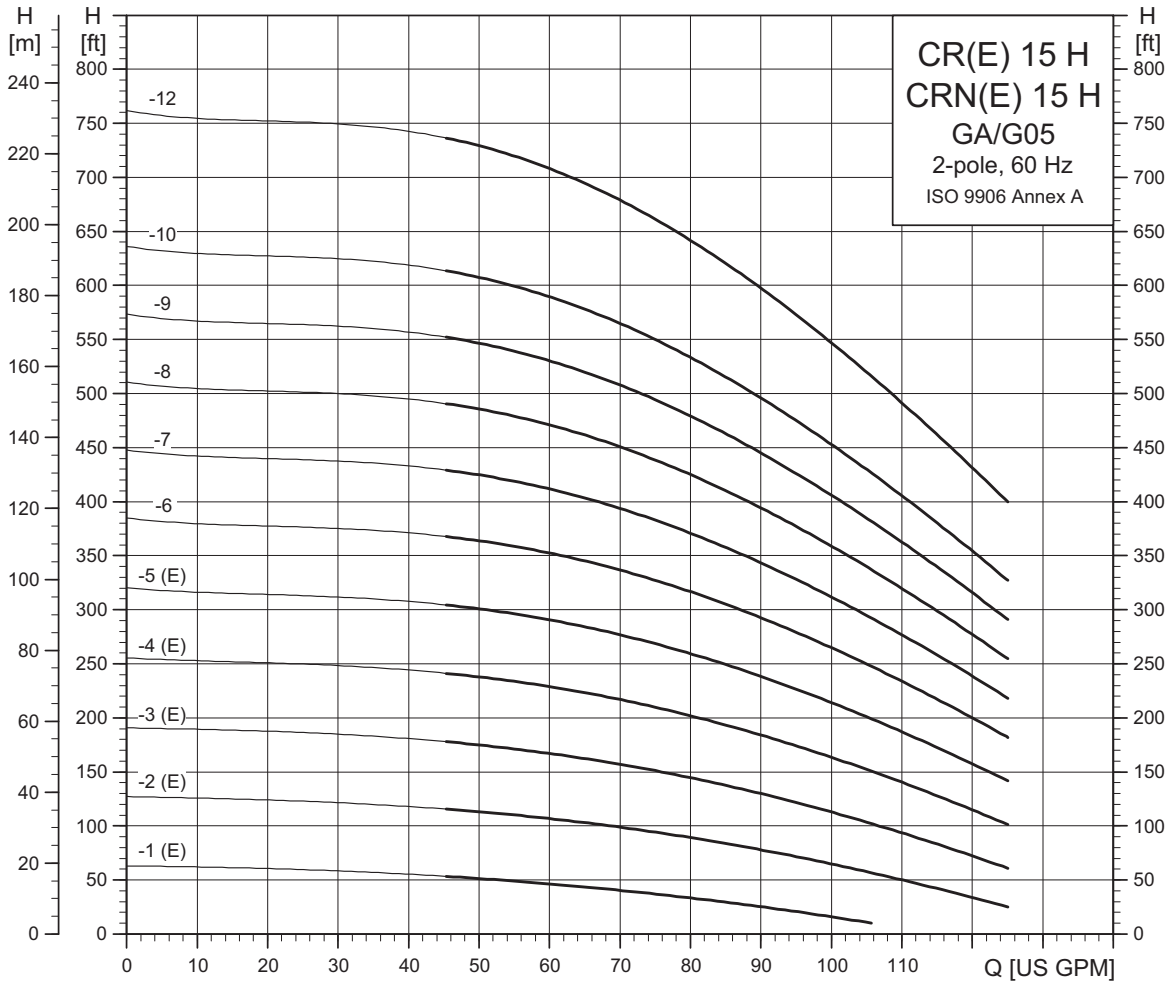
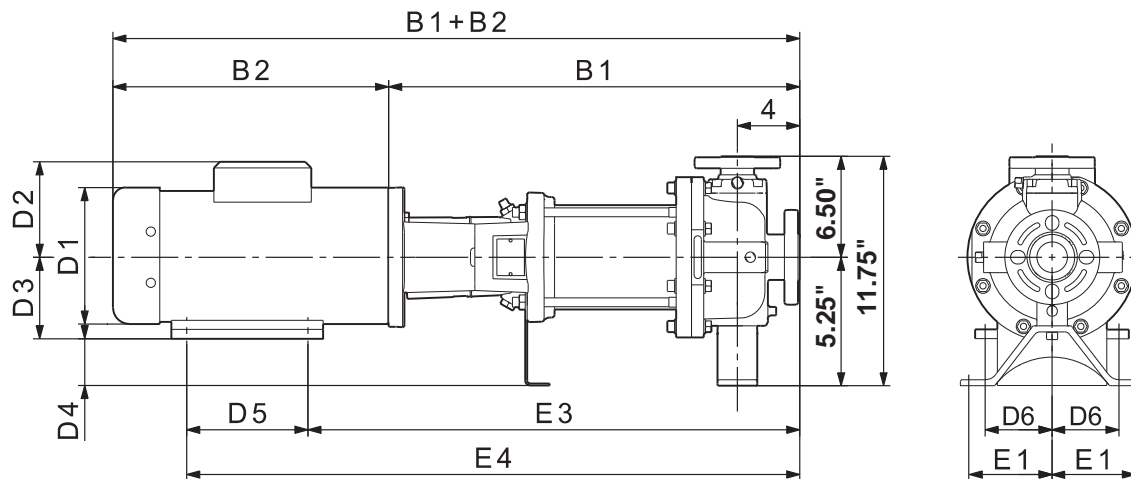


## CR, CRE 15 H GA/G05



TM04 6286 5110

## Dimensional sketches GA (1.5" x 1" x 6", 1.5" x 1" x 8")



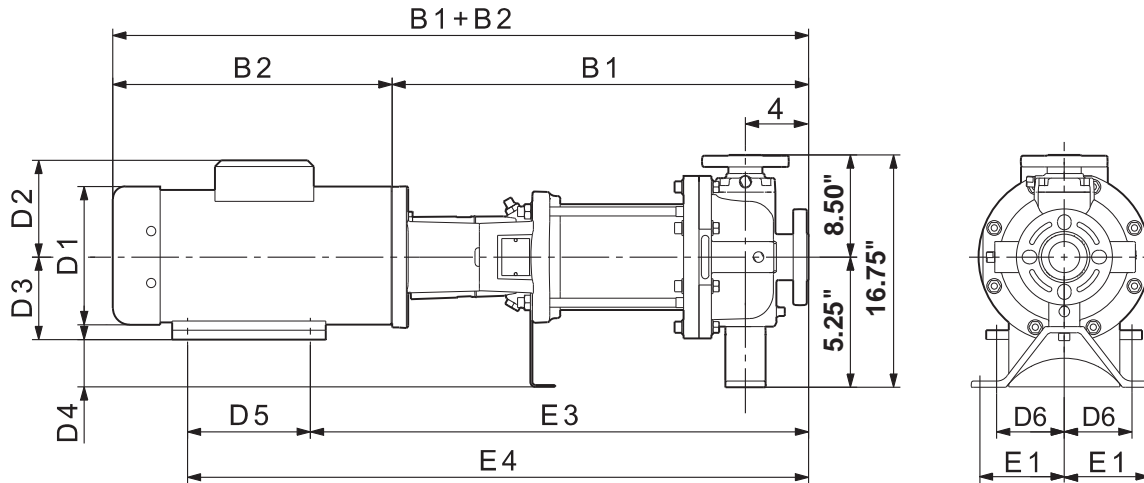
TM04 4818 0310

## Dimensions and weights GA (1.5" x 1" x 6", 1.5" x 1" x 8")

| Pump type       | Power [hp] | Ph | Dimensions [inches] |       |      |       |       |       |       |      |       |      |      |     | Ship. weight [lbs] | Dimensions [inches] |       |      | Ship. weight [lbs] |       |       |  |
|-----------------|------------|----|---------------------|-------|------|-------|-------|-------|-------|------|-------|------|------|-----|--------------------|---------------------|-------|------|--------------------|-------|-------|--|
|                 |            |    | TEFC                |       |      |       |       |       |       |      |       |      |      |     |                    | ODP                 |       |      |                    | MLE   |       |  |
|                 |            |    | B1                  | B1+B2 | E1   | E3    | E4    | D1    | D2    | D3   | D4    | D5   | D6   | D1  |                    | D2                  | B1+B2 | D1   |                    | D2    | B1+B2 |  |
| CR(N)(E) 15-1 H | 2.00       | 1  | 18.13               | 30.75 | 3.00 | 20.75 | 23.75 | 7.25  | 5.75  | 3.50 | 1.75  | 3.00 | 2.50 | 139 | —                  | —                   | —     | —    | —                  | —     | —     |  |
|                 |            | 3  | 18.13               | 29.63 | 3.00 | 20.75 | 23.75 | 7.13  | 4.38  | 3.50 | 1.75  | 3.00 | 2.50 | 126 | —                  | —                   | —     | 7.13 | 6.63               | 31.13 | 99    |  |
| CR(N)(E) 15-2 H | 5.00       | 1  | 20.75               | 36.00 | 3.00 | 23.25 | 28.75 | 10.63 | 7.50  | 5.25 | 0.00  | 5.50 | 3.75 | 205 | —                  | —                   | —     | —    | —                  | —     | —     |  |
|                 |            | 3  | 20.75               | 36.25 | 3.00 | 23.25 | 27.75 | 8.75  | 5.38  | 4.50 | 0.75  | 4.50 | 3.75 | 174 | —                  | —                   | —     | 8.75 | 7.50               | 36.25 | 156   |  |
| CR(N)(E) 15-3 H | 7.50       | 1  | 22.50               | 37.75 | 3.00 | 25.75 | 31.25 | 10.25 | 7.63  | 5.25 | 0.00  | 5.50 | 4.25 | 207 | —                  | —                   | —     | —    | —                  | —     | —     |  |
|                 |            | 3  | 22.50               | 38.00 | 3.00 | 25.75 | 31.25 | 8.75  | 5.38  | 5.25 | 0.00  | 5.50 | 4.25 | 176 | —                  | —                   | —     | 8.75 | 7.50               | 38.00 | 273   |  |
| CR(N)(E) 15-4 H | 7.50       | 1  | 24.75               | 40.00 | 3.00 | 28.00 | 33.50 | 10.25 | 7.63  | 5.25 | 0.00  | 5.50 | 4.25 | 231 | —                  | —                   | —     | —    | —                  | —     | —     |  |
|                 |            | 3  | 24.75               | 40.25 | 3.00 | 28.00 | 33.50 | 8.75  | 5.38  | 5.25 | 0.00  | 5.50 | 4.25 | 203 | —                  | —                   | —     | 8.75 | 7.50               | 40.25 | 275   |  |
| CR(N)(E) 15-5 H | 10.00      | 1  | 26.50               | 42.38 | 3.00 | 29.75 | 35.25 | 11.50 | 10.38 | 5.25 | 0.00  | 5.50 | 4.25 | 357 | —                  | —                   | —     | —    | —                  | —     | —     |  |
|                 |            | 3  | 26.50               | 42.00 | 3.00 | 29.75 | 35.25 | 8.75  | 5.38  | 5.25 | 0.00  | 5.50 | 4.25 | 238 | —                  | —                   | —     | 8.75 | 7.50               | 42.00 | 284   |  |
| CR(N) 15-6 H    | 15.00      | 3  | 28.25               | 48.50 | 3.00 | 32.25 | 40.50 | 12.63 | 9.50  | 6.25 | -1.00 | 8.25 | 5.00 | 240 | 10.75              | 6.88                | 46.25 | —    | —                  | —     | —     |  |
| CR(N) 15-7 H    | 15.00      | 3  | 30.75               | 51.00 | 3.00 | 34.75 | 43.00 | 12.63 | 9.50  | 6.25 | -1.00 | 8.25 | 5.00 | 377 | 10.75              | 6.88                | 48.75 | —    | —                  | —     | —     |  |
| CR(N) 15-8 H    | 15.00      | 3  | 32.63               | 52.75 | 3.00 | 36.63 | 44.88 | 12.63 | 9.50  | 6.25 | -1.00 | 8.25 | 5.00 | 386 | 10.75              | 6.88                | 50.50 | —    | —                  | —     | —     |  |
| CR(N) 15-9 H    | 15.00      | 3  | 34.38               | 54.50 | 3.00 | 38.38 | 46.63 | 12.63 | 9.50  | 6.25 | -1.00 | 8.25 | 5.00 | 392 | 10.75              | 6.88                | 52.25 | —    | —                  | —     | —     |  |
| CR(N) 15-10 H   | 20.00      | 3  | 36.13               | 55.88 | 3.00 | 40.13 | 48.38 | 12.75 | 10.13 | 6.25 | -1.00 | 8.25 | 5.00 | 410 | 11.50              | 9.00                | 53.75 | —    | —                  | —     | —     |  |
| CR(N) 15-12 H   | 25.00      | 3  | 38.88               | 60.25 | 3.00 | 43.38 | 52.88 | 12.75 | 12.13 | 7.00 | -1.75 | 9.50 | 5.50 | 498 | 11.50              | 11.38               | 57.63 | —    | —                  | —     | —     |  |

Note: Terminal box is on top of motor on 3-phase up to 10 hp. All other motors have terminal box on the side. Reference D2 dimension. Weights are based on pump with TEFC motor.

## Dimensional sketches G05 (2" x 1" x 10")



TM04 4643 0310

## Dimensions and weights G05 (2" x 1" x 10")

| Pump type       | Power [hp] | Ph | Dimensions [inches] |       |      |       |       |       |       |      |      |      |      |     |       | Ship. weight [lbs] | Dimensions [inches] |      |      | Ship. weight [lbs] |       |  |  |
|-----------------|------------|----|---------------------|-------|------|-------|-------|-------|-------|------|------|------|------|-----|-------|--------------------|---------------------|------|------|--------------------|-------|--|--|
|                 |            |    | TEFC                |       |      |       |       |       |       |      |      |      |      |     |       |                    | ODP                 |      |      |                    | MLE   |  |  |
|                 |            |    | B1                  | B1+B2 | E1   | E3    | E4    | D1    | D2    | D3   | D4   | D5   | D6   | D1  | D2    |                    | B1+B2               | D1   | D2   |                    | B1+B2 |  |  |
| CR(N)(E) 15-1 H | 2.00       | 1  | 18.13               | 30.75 | 4.88 | 20.75 | 23.75 | 7.25  | 5.75  | 3.50 | 4.75 | 3.00 | 2.50 | 139 | —     | —                  | —                   | —    | —    | —                  | —     |  |  |
|                 |            | 3  | 18.13               | 29.63 | 4.88 | 20.75 | 23.75 | 7.13  | 4.38  | 3.50 | 4.75 | 3.00 | 2.50 | 126 | —     | —                  | —                   | 7.13 | 6.63 | 31.13              | 246   |  |  |
| CR(N)(E) 15-2 H | 5.00       | 1  | 20.75               | 36.00 | 4.88 | 23.25 | 28.75 | 10.63 | 7.50  | 5.25 | 3.00 | 5.50 | 3.75 | 205 | —     | —                  | —                   | —    | —    | —                  | —     |  |  |
|                 |            | 3  | 20.75               | 36.25 | 4.88 | 23.25 | 27.75 | 8.75  | 5.38  | 4.50 | 3.75 | 4.50 | 3.75 | 174 | —     | —                  | —                   | 8.75 | 7.50 | 36.25              | 304   |  |  |
| CR(N)(E) 15-3 H | 7.50       | 1  | 22.50               | 37.75 | 4.88 | 25.75 | 31.25 | 10.25 | 7.63  | 5.25 | 3.00 | 5.50 | 4.25 | 207 | —     | —                  | —                   | —    | —    | —                  | —     |  |  |
|                 |            | 3  | 22.50               | 38.00 | 4.88 | 25.75 | 31.25 | 8.75  | 5.38  | 5.25 | 3.00 | 5.50 | 4.25 | 176 | —     | —                  | —                   | 8.75 | 7.50 | 38.00              | 332   |  |  |
| CR(N)(E) 15-4 H | 7.50       | 1  | 24.75               | 40.00 | 4.88 | 28.00 | 33.50 | 10.25 | 7.63  | 5.25 | 3.00 | 5.50 | 4.25 | 231 | —     | —                  | —                   | —    | —    | —                  | —     |  |  |
|                 |            | 3  | 24.75               | 40.25 | 4.88 | 28.00 | 33.50 | 8.75  | 5.38  | 5.25 | 3.00 | 5.50 | 4.25 | 203 | —     | —                  | —                   | 8.75 | 7.50 | 40.25              | 337   |  |  |
| CR(N)(E) 15-5 H | 10.00      | 1  | 26.50               | 42.38 | 4.88 | 29.75 | 35.25 | 11.50 | 10.38 | 5.25 | 3.00 | 5.50 | 4.25 | 357 | —     | —                  | —                   | —    | —    | —                  | —     |  |  |
|                 |            | 3  | 26.50               | 42.00 | 4.88 | 29.75 | 35.25 | 8.75  | 5.38  | 5.25 | 3.00 | 5.50 | 4.25 | 238 | —     | —                  | —                   | 8.75 | 7.50 | 42.00              | 345   |  |  |
| CR(N) 15-6 H    | 15.00      | 3  | 28.25               | 48.50 | 4.88 | 32.25 | 40.50 | 12.63 | 9.50  | 6.25 | 2.00 | 8.25 | 5.00 | 240 | 10.75 | 6.88               | 46.25               | —    | —    | —                  | —     |  |  |
| CR(N) 15-7 H    | 15.00      | 3  | 30.75               | 51.00 | 4.88 | 34.75 | 43.00 | 12.63 | 9.50  | 6.25 | 2.00 | 8.25 | 5.00 | 377 | 10.75 | 6.88               | 48.75               | —    | —    | —                  | —     |  |  |
| CR(N) 15-8 H    | 15.00      | 3  | 32.63               | 52.75 | 4.88 | 36.63 | 44.88 | 12.63 | 9.50  | 6.25 | 2.00 | 8.25 | 5.00 | 386 | 10.75 | 6.88               | 50.50               | —    | —    | —                  | —     |  |  |
| CR(N) 15-9 H    | 15.00      | 3  | 34.38               | 54.50 | 4.88 | 38.38 | 46.63 | 12.63 | 9.50  | 6.25 | 2.00 | 8.25 | 5.00 | 392 | 10.75 | 6.88               | 52.25               | —    | —    | —                  | —     |  |  |
| CR(N) 15-10 H   | 20.00      | 3  | 36.13               | 55.88 | 4.88 | 40.13 | 48.38 | 12.75 | 10.13 | 6.25 | 2.00 | 8.25 | 5.00 | 410 | 11.50 | 9.00               | 53.75               | —    | —    | —                  | —     |  |  |
| CR(N) 15-12 H   | 25.00      | 3  | 38.88               | 60.25 | 4.88 | 43.38 | 52.88 | 12.75 | 12.13 | 7.00 | 1.25 | 9.50 | 5.50 | 498 | 11.50 | 11.38              | 57.63               | —    | —    | —                  | —     |  |  |

Note: Terminal box is on top of motor on 3-phase up to 10 hp. All other motors have terminal box on the side. Reference D2 dimension. Weights are based on pump with TEFC motor.