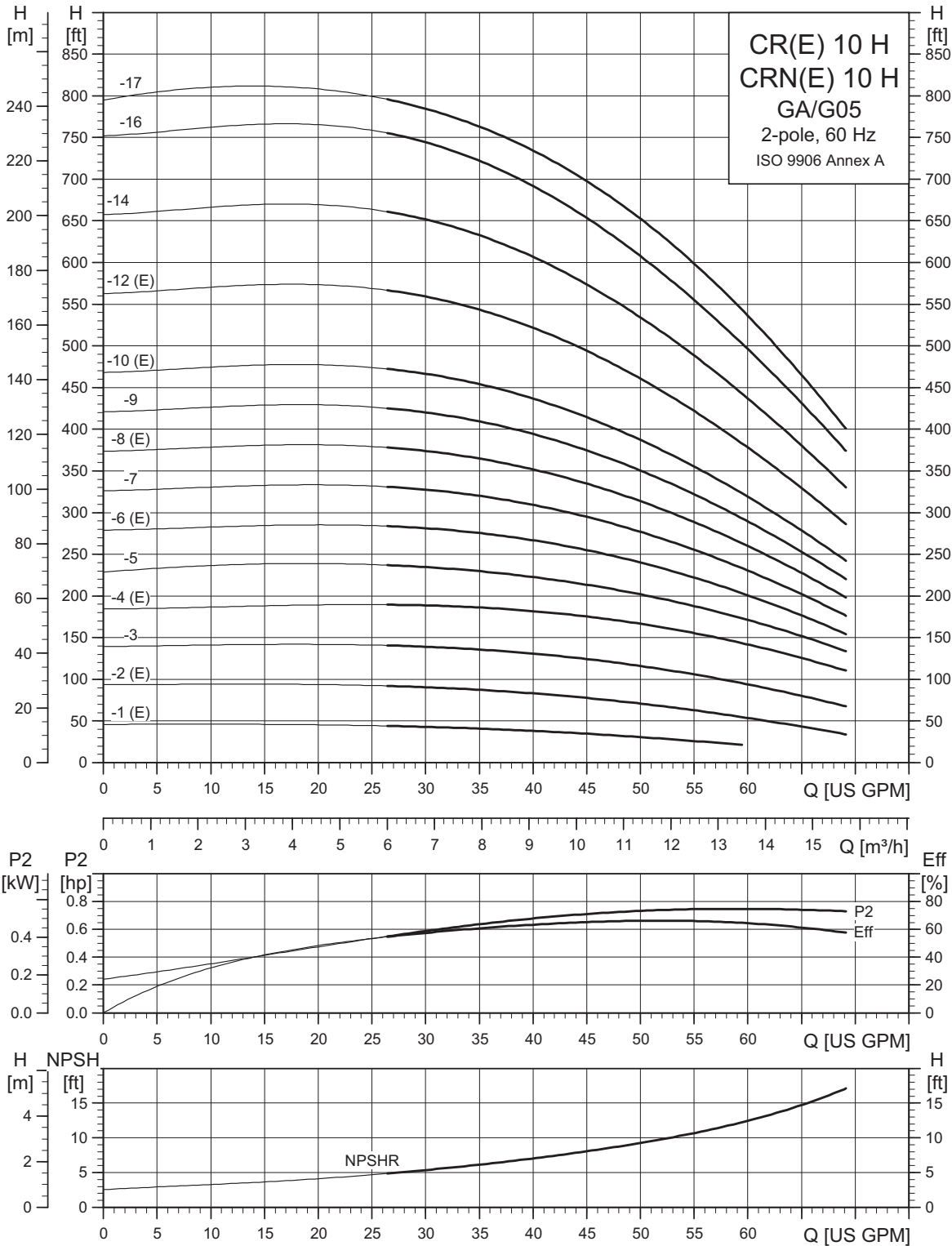
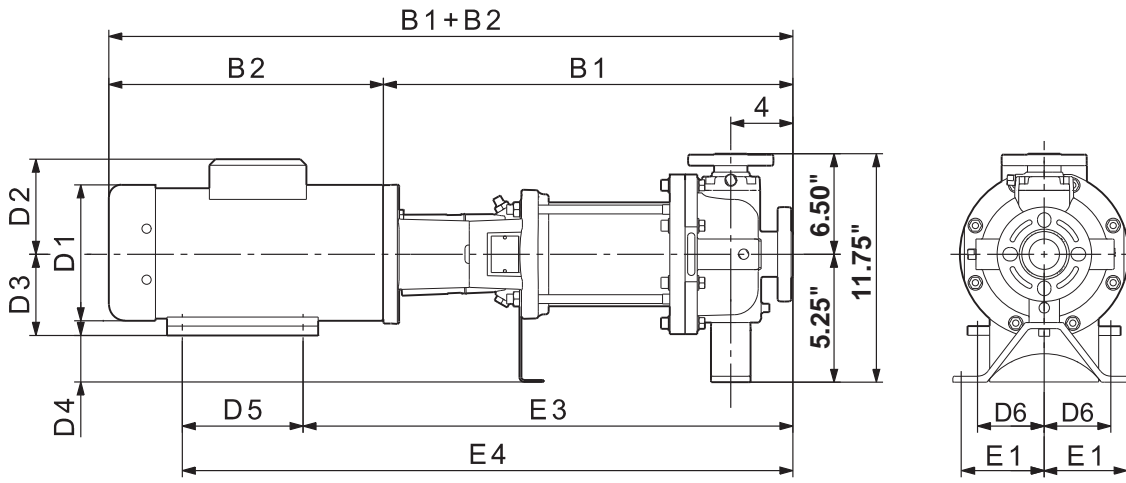


CR, CRE 10 H GA/G05



TM04 6284 5110

Dimensional sketches GA (1.5" x 1" x 6", 1.5" x 1" x 8")



TM04 4818 0310

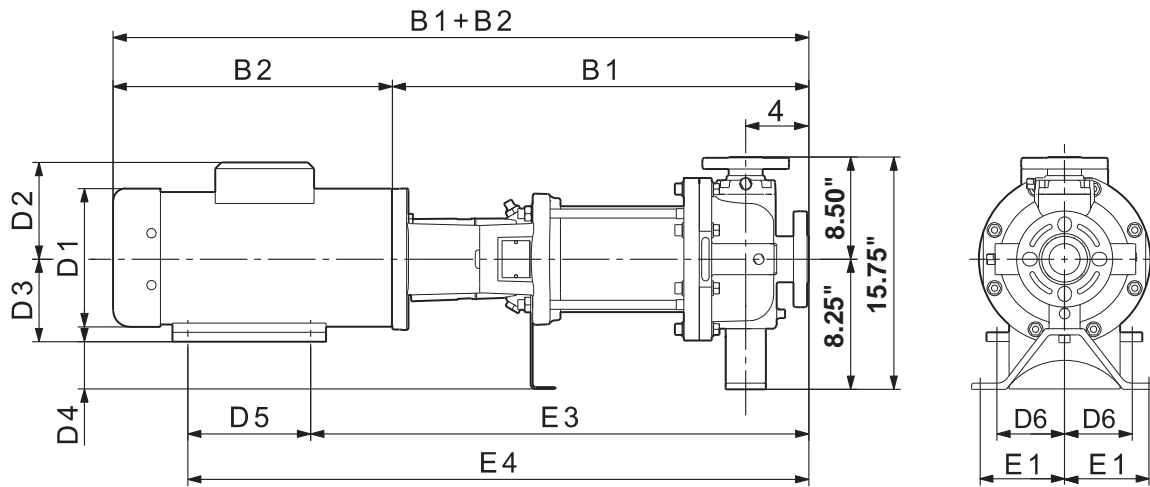
Dimensions and weights GA (1.5" x 1" x 6", 1.5" x 1" x 8")

Pump type	Power [hp]	Ph	Dimensions [inches]										Ship. weight [lbs]	Dimensions [inches]			Ship. weight [lbs]				
			TEFC											ODP				MLE			
			B1	B1+B2	E1	E3	E4	D1	D2	D3	D4	D5		D6	D1	D2		B1+B2	D1	D2	B1+B2
CR(N)(E) 10-1 H	0.75 ¹⁾	1	17.00	26.88	3.00	19.63	22.63	6.25	5.25	3.50	1.75	3.00	2.50	115	—	—	—	5.63	5.63	26.00	68
		3	17.00	24.63	3.00	19.63	22.63	5.63	4.63	3.50	1.75	3.00	2.50	106	—	—	—	7.13	6.63	29.88	81
CR(N)(E) 10-2 H	1.50	1	17.00	28.63	3.00	19.63	22.63	7.25	5.75	3.50	1.75	3.00	2.50	130	—	—	—	—	—	—	—
		3	17.00	25.75	3.00	19.63	22.63	5.63	4.63	3.50	1.75	3.00	2.50	123	—	—	—	7.13	6.63	29.88	86
CR(N) 10-3 H	3.00	1	20.75	35.13	3.00	23.25	27.75	8.63	6.88	4.50	0.75	4.50	3.75	183	—	—	—	—	—	—	—
		3	20.75	34.00	3.00	23.25	27.75	7.13	4.38	4.50	0.75	4.50	3.75	157	—	—	—	—	—	—	—
CR(N)(E) 10-4 H	3.00	1	21.88	36.38	3.00	24.38	28.88	8.63	6.88	4.50	0.75	4.50	3.75	185	—	—	—	—	—	—	—
		3	21.88	35.13	3.00	24.38	28.88	7.13	4.38	4.50	0.75	4.50	3.75	159	—	—	—	7.13	6.63	35.25	125
CR(N) 10-5 H	5.00	1	23.13	38.38	3.00	25.63	31.13	10.63	7.50	5.25	0.00	5.50	3.75	213	—	—	—	—	—	—	—
		3	23.13	38.63	3.00	25.63	30.13	8.75	5.38	4.50	0.75	4.50	3.75	182	—	—	—	—	—	—	—
CR(N)(E) 10-6 H	5.00	1	24.25	39.50	3.00	26.75	32.25	10.63	7.50	5.25	0.00	5.50	3.75	212	—	—	—	—	—	—	—
		3	24.25	39.75	3.00	26.75	31.25	8.75	5.38	4.50	0.75	4.50	3.75	181	—	—	—	8.75	7.50	39.75	249
CR(N) 10-7 H	5.00	1	25.50	40.75	3.00	28.00	33.50	10.63	7.50	5.25	0.00	5.50	3.75	214	—	—	—	—	—	—	—
		3	25.50	41.00	3.00	28.00	32.50	8.75	5.38	4.50	0.75	4.50	3.75	183	—	—	—	—	—	—	—
CR(N)(E) 10-8 H	7.50	1	27.13	42.38	3.00	30.38	35.88	10.25	7.63	5.25	0.00	5.50	4.25	234	—	—	—	—	—	—	—
		3	27.13	42.63	3.00	30.38	35.88	8.75	5.38	5.25	0.00	5.50	4.25	206	—	—	—	8.75	7.50	42.63	282
CR(N) 10-9 H	7.50	1	28.25	43.50	3.00	31.50	37.00	10.25	7.63	5.25	0.00	5.50	4.25	236	—	—	—	—	—	—	—
		3	28.25	43.75	3.00	31.50	37.00	8.75	5.38	5.25	0.00	5.50	4.25	208	—	—	—	—	—	—	—
CR(N)(E) 10-10 H	7.50	1	29.50	44.75	3.00	32.75	38.25	10.25	7.63	5.25	0.00	5.50	4.25	238	—	—	—	—	—	—	—
		3	29.50	45.00	3.00	32.75	38.25	8.75	5.38	5.25	0.00	5.50	4.25	211	—	—	—	8.75	7.50	45.00	286
CR(N)(E) 10-12 H	10.00	1	31.75	47.63	3.00	35.00	40.50	11.50	10.38	5.25	0.00	5.50	4.25	370	—	—	—	—	—	—	—
		3	31.75	47.25	3.00	35.00	40.50	8.75	5.38	5.25	0.00	5.50	4.25	251	—	—	—	8.75	7.50	47.38	315
CR(N) 10-14 H	15.00	3	34.13	54.38	3.00	38.13	46.38	12.63	9.50	6.25	-1.00	8.25	5.00	256	10.75	6.88	52.13	—	—	—	—
CR(N) 10-16 H	15.00	3	37.25	57.50	3.00	41.25	49.50	12.63	9.50	6.25	-1.00	8.25	5.00	399	10.75	6.88	55.25	—	—	—	—
CR(N) 10-17 H	15.00	3	39.63	59.88	3.00	43.63	51.88	12.63	9.50	6.25	-1.00	8.25	5.00	403	10.75	6.88	57.63	—	—	—	—

Note: Terminal box is on top of motor on 3-phase up to 10 hp. All other motors have terminal box on the side. Reference D2 dimension. Weights are based on pump with TEFC motor.

¹⁾ CR(N)E 10-1 dimensions are for 1 hp motor.

Dimensional sketches G05 (2" x 1" x 10")



TM04 4643 0310

Dimensions and weights G05 (2" x 1" x 10")

Pump type	Power [hp]	Ph	Dimensions [inches]												Ship. weight [lbs]	Dimensions [inches]			Ship. weight [lbs]			
			TEFC													ODP				MLE		
			B1	B1+B2	E1	E3	E4	D1	D2	D3	D4	D5	D6	D1		D2	B1+B2	D1		D2	B1+B2	
CR(N)(E) 10-1 H	0.75 ¹⁾	1	18.00	27.88	4.88	20.63	23.63	6.25	5.25	3.50	4.75	3.00	2.50	115	—	—	—	5.63	5.63	27.13	218	
			3	18.00	25.63	4.88	20.63	23.63	5.63	4.63	3.50	4.75	3.00	2.50	106	—	—	—	7.13	6.63	31.00	231
CR(N)(E) 10-2 H	1.50	1	18.00	29.63	4.88	20.63	23.63	7.25	5.75	3.50	4.75	3.00	2.50	130	—	—	—	—	—	—	—	
			3	18.00	26.75	4.88	20.63	23.63	5.63	4.63	3.50	4.75	3.00	2.50	123	—	—	—	7.13	6.63	31.00	233
CR(N) 10-3 H	3.00	1	21.75	36.13	4.88	24.25	28.75	8.63	6.88	4.50	3.75	4.50	3.75	183	—	—	—	—	—	—	—	
			3	21.75	35.00	4.88	24.25	28.75	7.13	4.38	4.50	3.75	4.50	3.75	157	—	—	—	—	—	—	—
CR(N)(E) 10-4 H	3.00	1	23.00	37.38	4.88	25.50	30.00	8.63	6.88	4.50	3.75	4.50	3.75	185	—	—	—	—	—	—	—	
			3	23.00	36.25	4.88	25.50	30.00	7.13	4.38	4.50	3.75	4.50	3.75	159	—	—	—	7.13	6.63	36.25	273
CR(N) 10-5 H	5.00	1	24.13	39.38	4.88	26.63	32.13	10.63	7.50	5.25	3.00	5.50	3.75	213	—	—	—	—	—	—	—	
			3	24.13	39.63	4.88	26.63	31.13	8.75	5.38	4.50	3.75	4.50	3.75	182	—	—	—	—	—	—	—
CR(N)(E) 10-6 H	5.00	1	25.38	40.63	4.88	27.88	33.38	10.63	7.50	5.25	3.00	5.50	3.75	212	—	—	—	—	—	—	—	
			3	25.38	40.88	4.88	27.88	32.38	8.75	5.38	4.50	3.75	4.50	3.75	181	—	—	—	8.75	7.50	40.88	310
CR(N) 10-7 H	7.50	1	26.50	41.75	4.88	29.75	35.25	10.25	7.63	5.25	3.00	5.50	4.25	214	—	—	—	—	—	—	—	
			3	26.50	42.00	4.88	29.75	35.25	8.75	5.38	5.25	3.00	5.50	4.25	183	—	—	—	—	—	—	—
CR(N)(E) 10-8 H	7.50	1	28.13	43.38	4.88	31.38	36.88	10.25	7.63	5.25	3.00	5.50	4.25	234	—	—	—	—	—	—	—	
			3	28.13	43.63	4.88	31.38	36.88	8.75	5.38	5.25	3.00	5.50	4.25	206	—	—	—	8.75	7.50	43.63	341
CR(N) 10-9 H	7.50	1	29.25	44.63	4.88	32.50	38.00	10.25	7.63	5.25	3.00	5.50	4.25	236	—	—	—	—	—	—	—	
			3	29.25	44.75	4.88	32.50	38.00	8.75	5.38	5.25	3.00	5.50	4.25	208	—	—	—	—	—	—	—
CR(N)(E) 10-10 H	7.50	1	30.50	45.75	4.88	33.75	39.25	10.25	7.63	5.25	3.00	5.50	4.25	238	—	—	—	—	—	—	—	
			3	30.50	46.00	4.88	33.75	39.25	8.75	5.38	5.25	3.00	5.50	4.25	211	—	—	—	8.75	7.50	46.00	345
CR(N)(E) 10-12 H	10.00	1	32.88	48.63	4.88	36.13	41.63	11.50	10.38	5.25	3.00	5.50	4.25	370	—	—	—	—	—	—	—	
			3	32.88	48.38	4.88	36.13	41.63	8.75	5.38	5.25	3.00	5.50	4.25	251	—	—	—	8.75	7.50	48.38	356
CR(N) 10-14 H	15.00	3	35.25	55.38	4.88	39.25	47.50	12.63	9.50	6.25	2.00	8.25	5.00	256	10.75	6.88	53.13	—	—	—	—	
CR(N) 10-16 H	15.00	3	38.38	58.50	4.88	42.38	50.63	12.63	9.50	6.25	2.00	8.25	5.00	399	10.75	6.88	56.25	—	—	—	—	
CR(N) 10-17 H	15.00	3	40.63	60.88	4.88	44.63	52.88	12.63	9.50	6.25	2.00	8.25	5.00	403	10.75	6.88	58.63	—	—	—	—	

Note: Terminal box is on top of motor on 3-phase up to 10 hp. All other motors have terminal box on the side. Reference D2 dimension. Weights are based on pump with TEFC motor.

¹⁾ CR(N)E 10-1 dimensions are for 1 hp motor.