

6. Technical data

Dimensional sketch

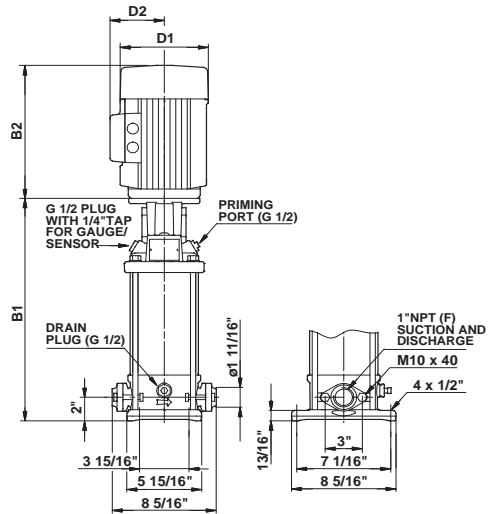


Fig. 14 CRI Flex 3-9 standard

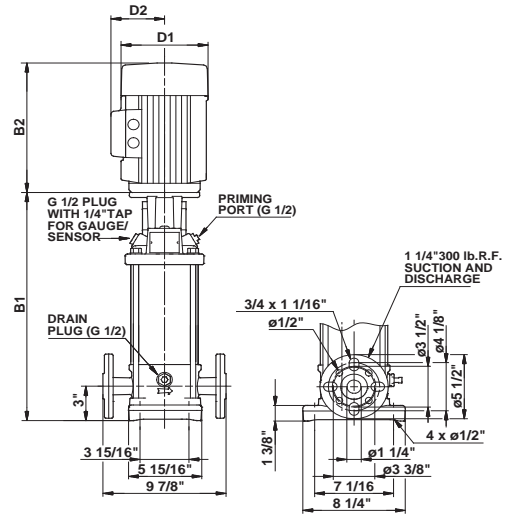


Fig. 15 CRI Flex 3-9 with optional FGJ ANSI flange (contact Grundfos for details)

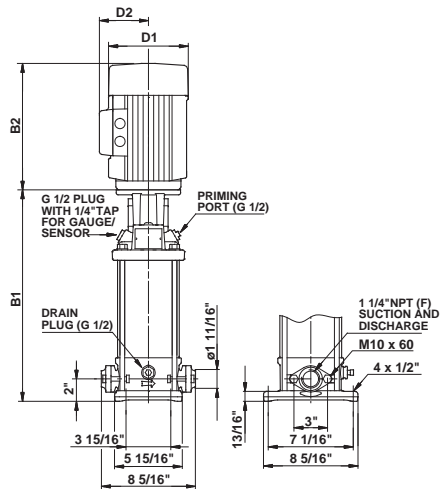


Fig. 16 CRI Flex 5-5 standard

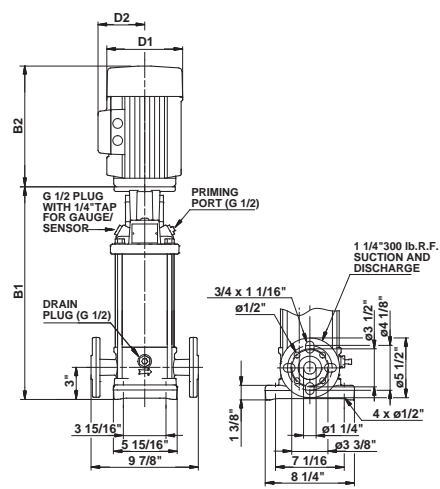
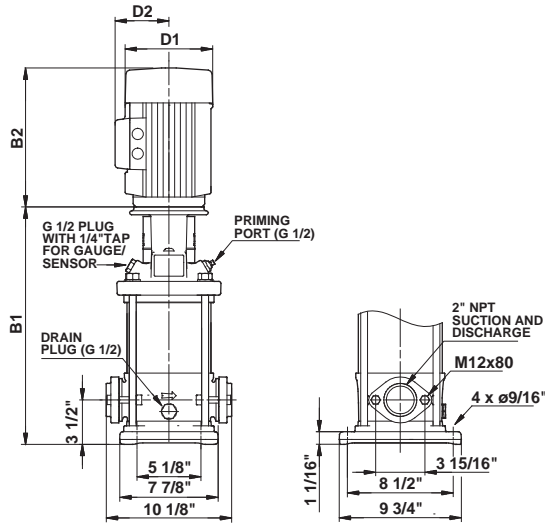
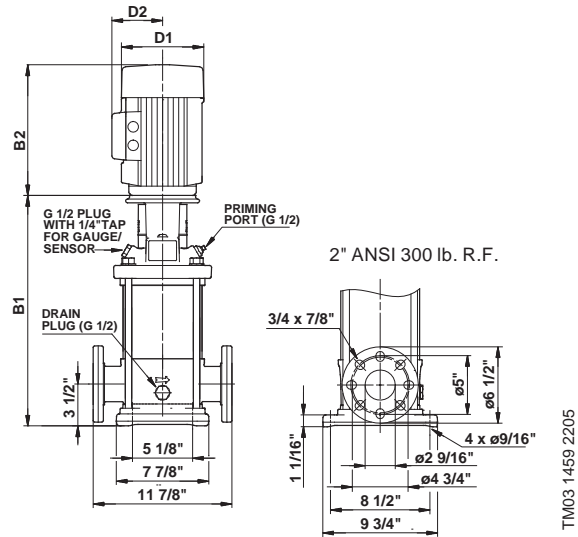


Fig. 17 CRI Flex 5-5 with optional FGJ ANSI flange (contact Grundfos for details)



TM03 1458 2205

Fig. 18 CRI Flex 10-2 standard



TM03 1459 2205

Fig. 19 CRI Flex 10-2 with optional FGJ ANSI flange (contact Grundfos for details)

Dimensions and weights

Pump type	Dimensions [in (mm)]				Net weight [lb (kg)]	Gross weight [lb (kg)]
	B1	B1 + B2	D1	D2		
CRI Flex 3-9	15.34 (390)	24.34 (620)	5.5 (140)	5.5 (140)	61.8 (28.0)	72.8 (33.0)
CRI Flex 5-5	14.28 (363)	23.28 (592)	5.5 (140)	5.5 (140)	60.1 (27.3)	71.1 (32.3)
CRI Flex 10-2	15.28 (388)	24.28 (617)	5.5 (140)	5.5 (140)	77.2 (35.0)	82.2 (40.0)

Electrical data

110-415 VDC or 1 x 220-240 VAC, 50/60 Hz

Pump type	Motor type	Maximum power input P ₁ [W]	Maximum current [A]
CRI Flex 3-9	MGFlex	1250	5
CRI Flex 5-5			
CRI Flex 10-2			