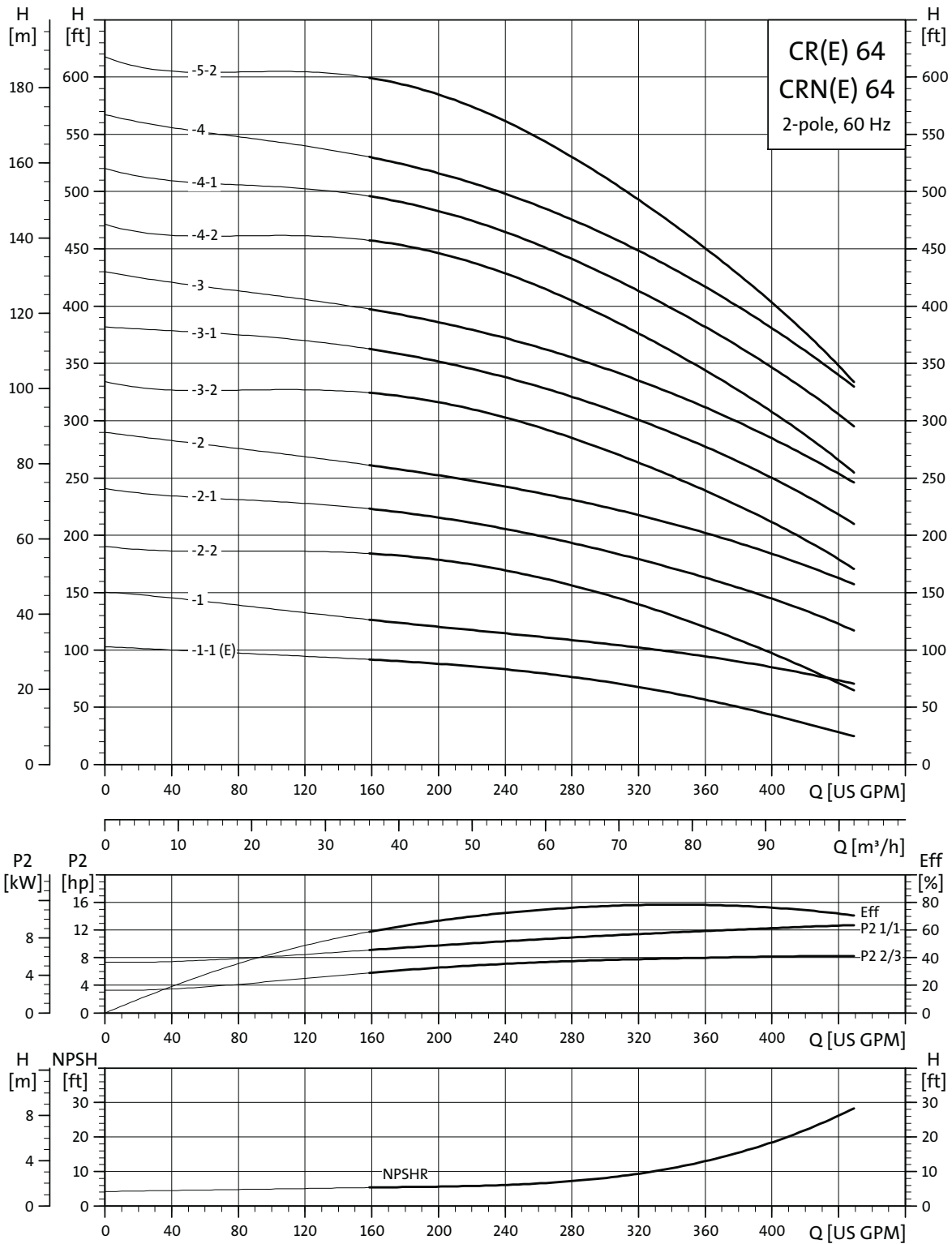
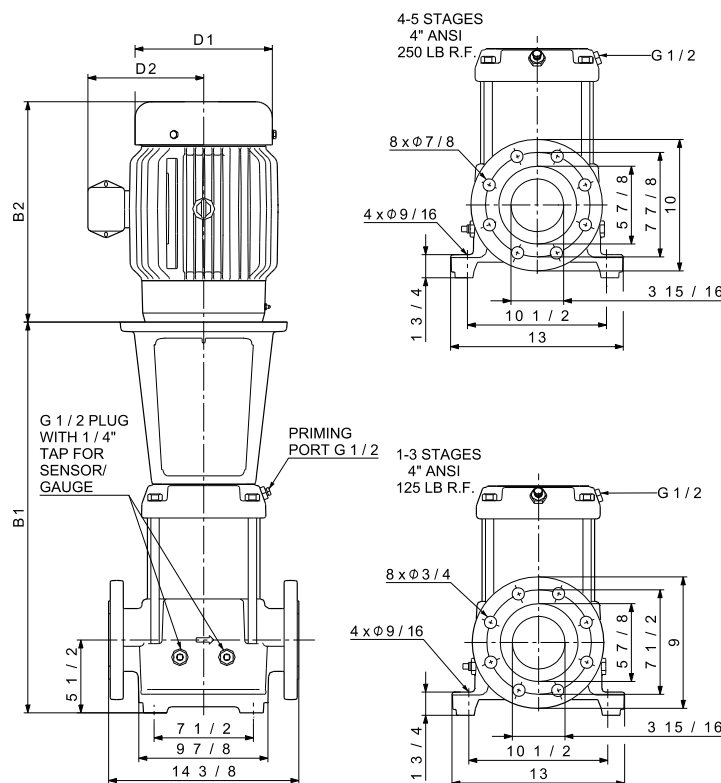


CR(E), CRN(E) 64



TM02 0041 3804

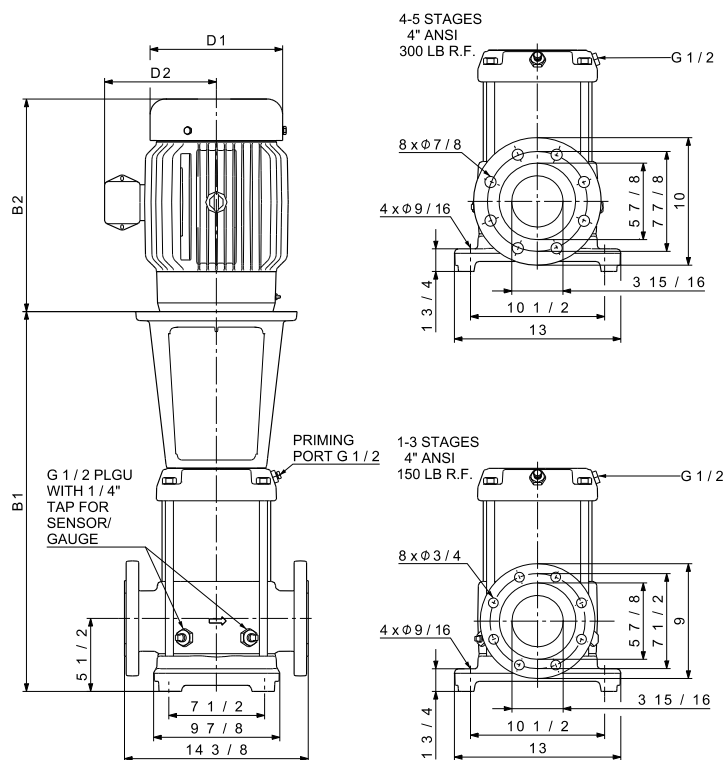


TM02 7701 1009

Pump type	P2 [hp]	Ph.	Dimensions [inch]							Ship Wt. [lbs.]	Dimensions [inch]			
			B1	TEFC			ODP				MLE			Ship Wt. [lbs.]
				D1	D2	B1+B2	D1	D2	B1+B2		D1	D2	B1+B2	
CR(E) 64-1-1	10	1	22 09	10.23	10 30	38.16	-	-	-	268	-	-	-	-
			3	22 09	8.66	5.28	37.60	-	-	-	252	10.24	8.39	37.01
CR 64-1	15	3	26.42	10.22	8.67	43.00	10.62	7 33	42.73	377	-	-	-	-
CR 64-2-2	20	3	29 69	10.22	8.67	46.27	11 50	8 92	49.38	392	-	-	-	-
CR 64-2-1	20	3	29 69	10.22	8.67	46.27	11 50	8 92	49.38	392	-	-	-	-
CR 64-2	25	3	29 69	12.94	11.52	49.51	11 50	8 94	50.50	438	-	-	-	-
CR 64-3-2	30	3	32 91	15.32	13.11	56.10	11 50	8 94	54.72	609	-	-	-	-
CR 64-3-1	40	3	32 91	15.32	13.11	56.10	13.25	12.21	56.16	624	-	-	-	-
CR 64-3	40	3	32 91	15.32	13.11	56.10	13.25	12.21	56.16	624	-	-	-	-
CR 64-4-2	40	3	36.18	15.32	13.11	59.37	13.25	12.21	59.43	624	-	-	-	-
CR 64-4-1	50	3	36.18	16.88	14.12	63.99	13.25	12.21	58.93	676	-	-	-	-
CR 64-4	50	3	36.18	16.88	14.12	63.99	13.25	12.21	58.93	676	-	-	-	-
CR 64-5-2	60	3	39.41	19.00	14 90	70.20	15.12	13.19	65.54	866	-	-	-	-

1) Weights are based on pump with TEFC motor (see price list for individual weights)
All dimensions in inches unless otherwise noted.

Dimensional sketches



TM02 7705 1009

Dimensions and weights

Pump type	P2 [hp]	Ph.	ANSI dimensions [inch]							Ship Wt. [lbs.]	ANSI dimensions [inch]			Ship Wt. [lbs.]
			B1	TEFC			ODP				MLE			
				D1	D2	B1+B2	D1	D2	B1+B2		D1	D2	B1+B2	
CRN(E) 64-1-1	10	1	22.09	10.23	10.30	38.16	-	-	-	269	-	-	-	-
		3	22.09	8.66	5.28	37.60	-	-	-	253	10.24	8.39	37.01	275
CRN 64-1	15	3	26.42	10.22	8.67	43.00	10.62	7.33	42.73	378	-	-	-	-
CRN 64-2-2	20	3	29.69	10.22	8.67	46.27	11.50	8.92	49.38	393	-	-	-	-
CRN 64-2-1	20	3	29.69	10.22	8.67	46.27	11.50	8.92	49.38	393	-	-	-	-
CRN 64-2	25	3	29.69	12.94	11.52	49.51	11.50	8.94	50.50	440	-	-	-	-
CRN 64-3-2	30	3	32.91	15.32	13.11	56.10	11.50	8.94	54.72	611	-	-	-	-
CRN 64-3-1	40	3	32.91	15.32	13.11	56.10	13.25	12.21	56.16	625	-	-	-	-
CRN 64-3	40	3	32.91	15.32	13.11	56.10	13.25	12.21	56.16	625	-	-	-	-
CRN 64-4-2	40	3	36.18	15.32	13.11	59.37	13.25	12.21	59.43	625	-	-	-	-
CRN 64-4-1	50	3	36.18	16.88	14.12	63.99	13.25	12.21	58.93	678	-	-	-	-
CRN 64-4	50	3	36.18	16.88	14.12	63.99	13.25	12.21	58.93	678	-	-	-	-
CRN 64-5-2	60	3	39.41	19.00	14.90	70.20	15.12	13.19	65.54	868	-	-	-	-

¹⁾ Weights are based on pump with TEFC motor (see price list for individual weights)
All dimensions in inches unless otherwise noted.