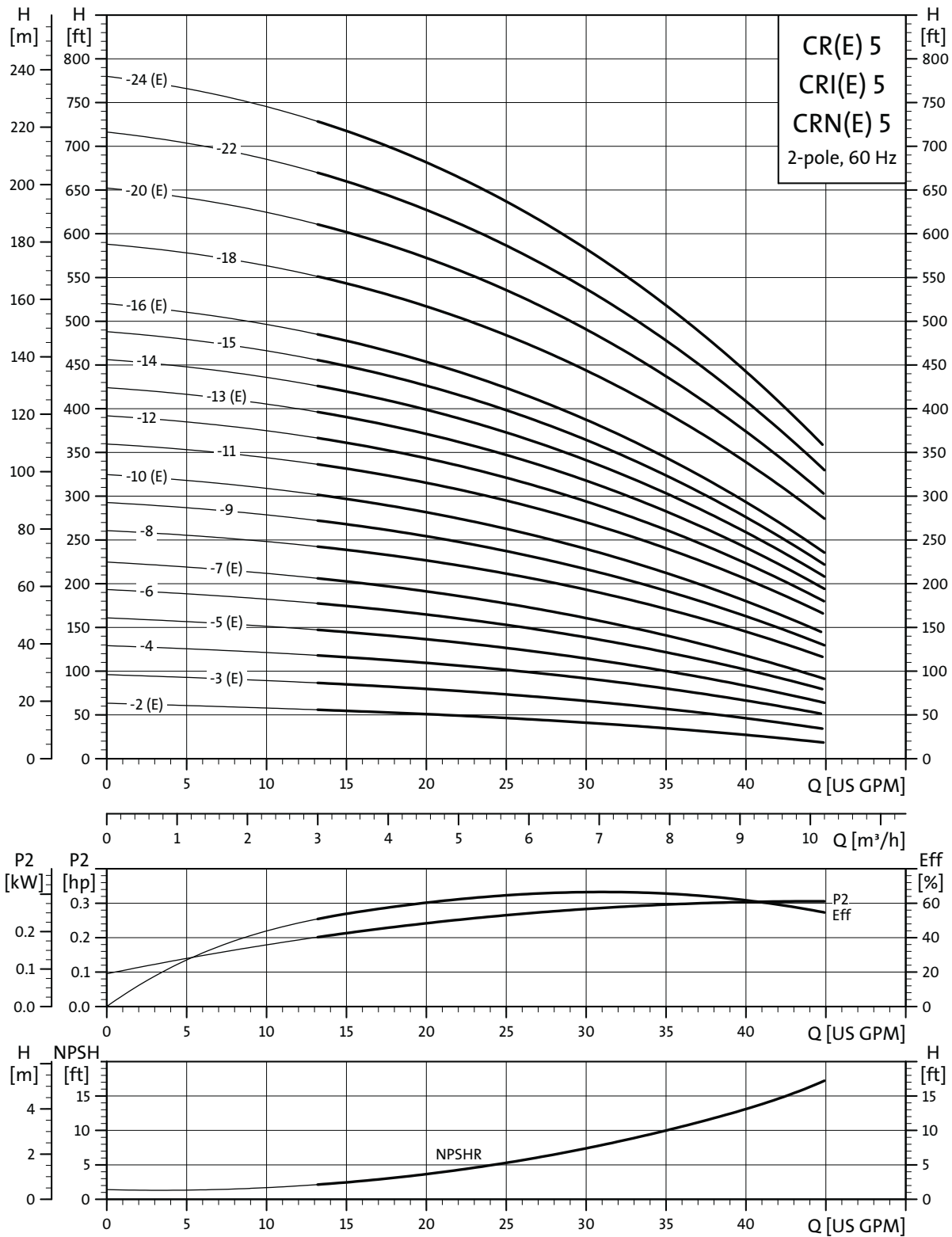
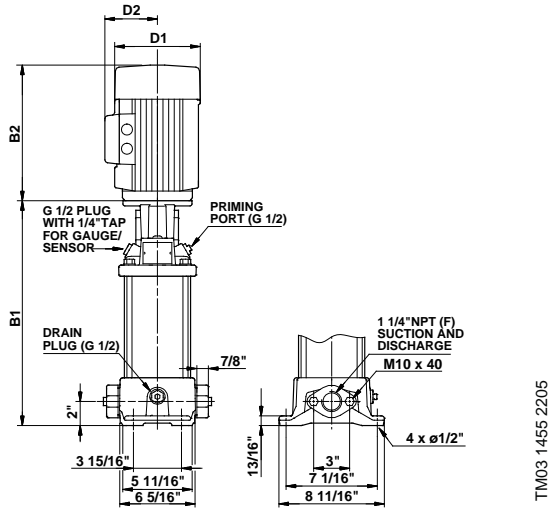


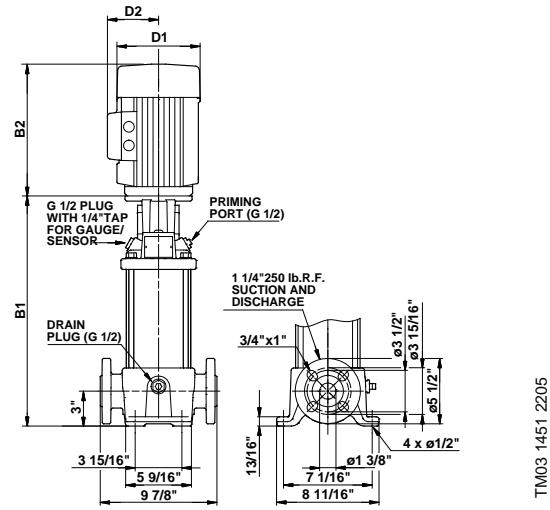
CR(E), CRI(E), CRN(E) 5



TM02 4085 1303



TM03 1455 2205



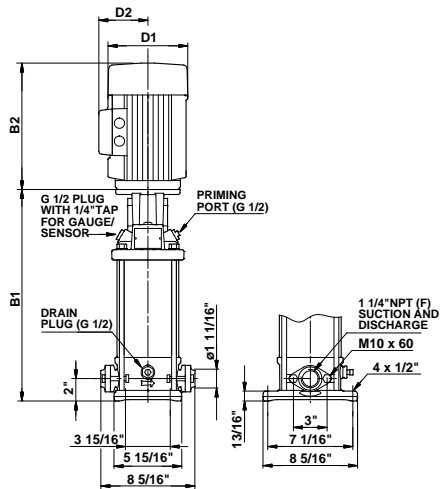
TM03 1451 2205

Pump type	P2 [hp]	Ph.	Oval*	ANSI dimensions [inch]				Ship Wt. [lbs.]	ANSI dimensions [inch]			
				B1	TEFC				MLE			Ship Wt. [lbs.]
					D1	D2	B1+B2		D1	D2	B1+B2	
CR(E) 5-2	3/4	1	•	11.97	6.19	5.18	21.88	77	5.55	5.51	19.39	71
		3	•	11.97	5.55	4.57	19.41	68	-	-	-	-
CR(E) 5-3	1	1	•	13.03	7.19	5.73	24.22	90	-	-	-	-
		3	•	13.03	5.55	4.57	20.47	69	7.01	6.57	25.83	88
CR 5-4	1 1/2	1	•	14.09	7.19	5.73	25.77	94	5.55	5.51	23.07	79
		3	•	14.09	5.55	4.57	22.71	71	7.01	6.57	26.89	92
CR(E) 5-5	2	1	•	15.16	7.19	5.73	27.72	106	-	-	-	-
		3	•	15.16	7.01	4.33	26.38	93	-	-	-	-
CR 5-6	2	1	•	16.22	7.19	5.73	28.78	108	-	-	-	-
		3	•	16.22	7.01	4.33	27.44	95	7.01	6.57	29.02	111
CR(E) 5-7	3	1	•	18.39	8.60	6.87	33.04	143	-	-	-	-
		3	•	18.39	7.01	4.33	31.62	114	-	-	-	-
CR 5-8	3	1	•	19.45	8.60	6.87	34.10	145	-	-	-	-
		3	•	19.45	7.01	4.33	32.68	116	-	-	-	-
CR 5-9	3	1	•	20.51	8.60	6.87	35.16	147	-	-	-	-
		3	•	20.51	7.01	4.33	33.74	118	7.01	6.57	33.82	126
CR(E) 5-10	5	1	•	21.57	10.62	7.46	37.09	170	-	-	-	-
		3	•	21.57	8.66	5.28	37.08	168	-	-	-	-
CR 5-11	5	1	•	22.64	10.62	7.46	38.16	172	-	-	-	-
		3	•	22.64	8.66	5.28	38.15	169	-	-	-	-
CR 5-12	5	1	•	23.70	10.62	7.46	39.22	177	-	-	-	-
		3	•	23.70	8.66	5.28	39.21	170	-	-	-	-
CR(E) 5-13	5	1	•	24.76	10.62	7.46	40.28	178	-	-	-	-
		3	•	24.76	8.66	5.28	40.27	171	8.66	7.40	40.27	166
CR 5-14	5	1	•	25.83	10.62	7.46	41.35	180	-	-	-	-
		3	•	25.83	8.66	5.28	41.34	176	-	-	-	-
CR 5-15	5	1	•	26.89	10.62	7.46	42.41	181	-	-	-	-
		3	•	26.89	8.66	5.28	42.40	177	8.66	7.40	42.40	169
CR(E) 5-16	5	1	•	27.95	10.62	7.46	43.47	182	-	-	-	-
		3	•	27.95	8.66	5.28	43.46	178	8.66	7.40	43.46	170
CR 5-18	7 1/2	1	-	30.59	10.22	7.62	46.12	200	-	-	-	-
		3	-	30.59	8.66	5.28	46.10	188	-	-	-	-
CR(E) 5-20	7 1/2	1	-	32.72	10.22	7.62	48.25	203	-	-	-	-
		3	-	32.72	8.66	5.28	48.23	190	8.66	7.40	48.23	204
CR 5-22	7 1/2	1	-	34.84	10.22	7.62	50.37	300	-	-	-	-
		3	-	34.84	8.66	5.28	50.35	287	-	-	-	-
CR(E) 5-24	7 1/2	1	-	36.97	10.22	7.62	52.50	302	-	-	-	-
		3	-	36.97	8.66	5.28	52.48	290	8.66	7.40	52.48	303

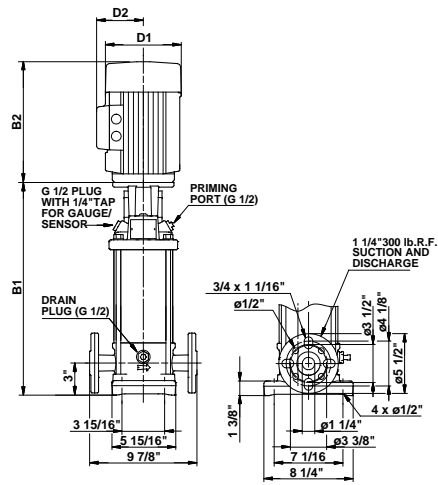
All dimensions in inches unless otherwise noted.

*Oval flanged pump B1 and B1+B2 dimension is one inch less than ANSI flanged pumps and weight is approximately 9 lbs. less.

• Available.



TM03 1456 2205



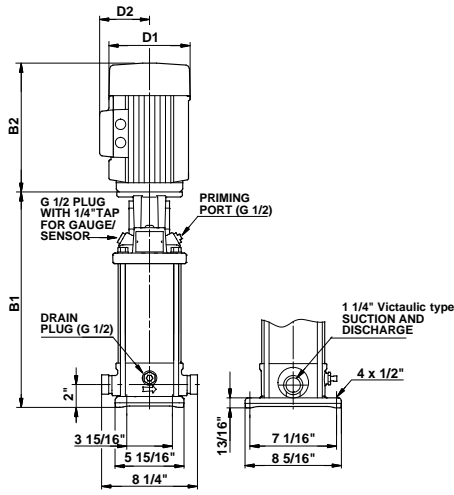
TM03 1453 2205

Pump type	P2 [hp]	Ph.	Oval*	ANSI dimensions [inch]				Ship Wt. [lbs.]	ANSI dimensions [inch]			Ship Wt. [lbs.]
				B1	TEFC				MLE			
					D1	D2	B1+B2		D1	D2	B1+B2	
CRI(E) 5-2	3/4	1	•	12.09	6.19	5.18	22.00	71	5.55	5.51	19.51	66
		3	•	12.09	5.55	4.57	19.53	62	-	-	-	-
CRI(E) 5-3	1	1	•	13.15	7.19	5.73	24.34	85	-	-	-	-
		3	•	13.15	5.55	4.57	20.59	64	7.01	6.57	25.95	83
CRI 5-4	1 1/2	1	•	14.21	7.19	5.73	25.89	89	5.55	5.51	23.19	74
		3	•	14.21	5.55	4.57	22.83	66	7.01	6.57	27.01	87
CRI(E) 5-5	2	1	•	15.28	7.19	5.73	27.84	101	-	-	-	-
		3	•	15.28	7.01	4.33	26.50	88	-	-	-	-
CRI 5-6	2	1	•	16.34	7.19	5.73	28.90	103	-	-	-	-
		3	•	16.34	7.01	4.33	27.56	90	7.01	6.57	29.14	106
CRI(E) 5-7	3	1	•	18.51	8.60	6.87	33.16	136	-	-	-	-
		3	•	18.51	7.01	4.33	31.74	107	-	-	-	-
CRI 5-8	3	1	•	19.57	8.60	6.87	34.22	138	-	-	-	-
		3	•	19.57	7.01	4.33	32.80	109	-	-	-	-
CRI 5-9	3	1	•	20.63	8.60	6.87	35.28	140	-	-	-	-
		3	•	20.63	7.01	4.33	33.86	111	7.01	6.57	33.94	120
CRI(E) 5-10	5	1	•	21.69	10.62	7.46	37.21	163	-	-	-	-
		3	•	21.69	8.66	5.28	37.20	160	-	-	-	-
CRI 5-11	5	1	•	22.76	10.62	7.46	38.28	165	-	-	-	-
		3	•	22.76	8.66	5.28	38.27	162	-	-	-	-
CRI 5-12	5	1	•	23.82	10.62	7.46	39.34	170	-	-	-	-
		3	•	23.82	8.66	5.28	39.33	163	-	-	-	-
CRI(E) 5-13	5	1	•	24.88	10.62	7.46	40.40	171	-	-	-	-
		3	•	24.88	8.66	5.28	40.39	164	8.66	7.40	40.39	159
CRI 5-14	5	1	•	25.94	10.62	7.46	41.46	173	-	-	-	-
		3	•	25.94	8.66	5.28	41.45	169	-	-	-	-
CRI 5-15	5	1	•	27.01	10.62	7.46	42.53	174	-	-	-	-
		3	•	27.01	8.66	5.28	42.52	170	8.66	7.40	42.52	161
CRI(E) 5-16	5	1	•	28.07	10.62	7.46	43.59	175	-	-	-	-
		3	•	28.07	8.66	5.28	43.58	171	8.66	7.40	43.58	163
CRI 5-18	7 1/2	1	-	30.71	10.22	7.62	46.24	193	-	-	-	-
		3	-	30.71	8.66	5.28	46.22	181	-	-	-	-
CRI(E) 5-20	7 1/2	1	-	32.83	10.22	7.62	48.36	196	-	-	-	-
		3	-	32.83	8.66	5.28	48.34	183	8.66	7.40	48.34	196
CRI 5-22	7 1/2	1	-	34.96	10.22	7.62	50.49	293	-	-	-	-
		3	-	34.96	8.66	5.28	50.47	280	-	-	-	-
CRI(E) 5-24	7 1/2	1	-	37.09	10.22	7.62	52.62	295	-	-	-	-
		3	-	37.09	8.66	5.28	52.60	283	8.66	7.40	52.60	295

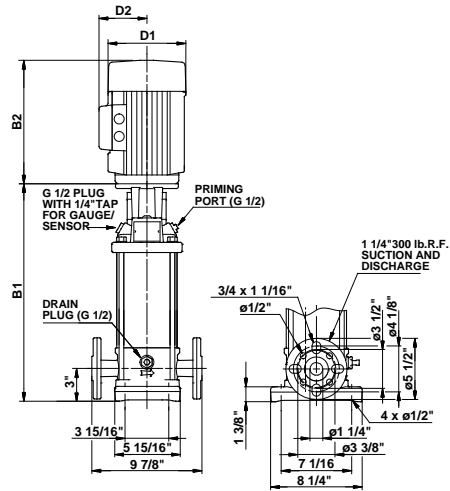
All dimensions in inches unless otherwise noted.

*Oval flanged pump B1 and B1+B2 dimension is one inch less than ANSI flanged pumps and weight is approximately 9 lbs. less.

• Available.



TM03 1454 2205



TM03 1453 2205

Pump type	P2 [hp]	Ph.	PJE*	ANSI dimensions [inch]				Ship Wt. [lbs.]	ANSI dimensions [inch]						
				B1	TEFC				D1	D2	B1+B2	MLE			Ship Wt. [lbs.]
					D1	D2	B1+B2					D1	D2	B1+B2	
CRN(E) 5-2	3/4	1	•	12.09	6.19	5.18	22.00	71	5.55	5.51	19 51	66			
		3	•	12.09	5.55	4.57	19.53	62	-	-	-	-			
CRN(E) 5-3	1	1	•	13.15	7.19	5.73	24.34	85	-	-	-	-			
		3	•	13.15	5.55	4.57	20.59	64	7.01	6.57	25 95	83			
CRN 5-4	1 1/2	1	•	14.21	7.19	5.73	25.89	89	5.55	5.51	23.19	74			
		3	•	14.21	5.55	4.57	22.83	65	7.01	6.57	27 01	87			
CRN(E) 5-5	2	1	•	15.28	7.19	5.73	27.84	101	-	-	-	-			
		3	•	15.28	7.01	4.33	26.50	88	-	-	-	-			
CRN 5-6	2	1	•	16.34	7.19	5.73	28.90	103	-	-	-	-			
		3	•	16.34	7.01	4.33	27.56	90	7.01	6.57	29.14	106			
CRN(E) 5-7	3	1	•	18.51	8.60	6.87	33.16	136	-	-	-	-			
		3	•	18.51	7.01	4.33	31.74	107	-	-	-	-			
CRN 5-8	3	1	•	19.57	8.60	6.87	34.22	138	-	-	-	-			
		3	•	19.57	7.01	4.33	32.80	109	-	-	-	-			
CRN 5-9	3	1	•	20.63	8.60	6.87	35.28	139	-	-	-	-			
		3	•	20.63	7.01	4.33	33.86	110	7.01	6.57	33 94	120			
CRN(E) 5-10	5	1	•	21.69	10 62	7.46	37.21	163	-	-	-	-			
		3	•	21.69	8.66	5.28	37.20	160	-	-	-	-			
CRN 5-11	5	1	•	22.76	10 62	7.46	38.28	165	-	-	-	-			
		3	•	22.76	8.66	5.28	38.27	161	-	-	-	-			
CRN 5-12	5	1	•	23.82	10 62	7.46	39.34	170	-	-	-	-			
		3	•	23.82	8.66	5.28	39.33	163	-	-	-	-			
CRN(E) 5-13	5	1	•	24.88	10 62	7.46	40.40	171	-	-	-	-			
		3	•	24.88	8.66	5.28	40.39	164	8.66	7.40	40 39	159			
CRN 5-14	5	1	•	25.94	10 62	7.46	41.46	172	-	-	-	-			
		3	•	25.94	8.66	5.28	41.45	169	-	-	-	-			
CRN 5-15	5	1	•	27.01	10 62	7.46	42.53	173	-	-	-	-			
		3	•	27.01	8.66	5.28	42.52	170	8.66	7.40	42 52	161			
CRN(E) 5-16	5	1	•	28.07	10 62	7.46	43.59	175	-	-	-	-			
		3	•	28.07	8.66	5.28	43.58	171	8.66	7.40	43 58	163			
CRN 5-18	7 1/2	1	•	30.71	10 22	7.62	46.24	193	-	-	-	-			
		3	•	30.71	8.66	5.28	46.22	180	-	-	-	-			
CRN(E) 5-20	7 1/2	1	•	32.83	10 22	7.62	48.36	196	-	-	-	-			
		3	•	32.83	8.66	5.28	48.34	183	8.66	7.40	48 34	196			
CRN 5-22	7 1/2	1	•	34.96	10 22	7.62	50.49	292	-	-	-	-			
		3	•	34.96	8.66	5.28	50.47	279	-	-	-	-			
CRN(E) 5-24	7 1/2	1	•	37.09	10 22	7.62	52.62	295	-	-	-	-			
		3	•	37.09	8.66	5.28	52.60	282	8.66	7.40	52 60	295			

All dimensions in inches unless otherwise noted.

*PJE flanged pump B1 and B1+B2 dimension is one inch less than ANSI flanged pumps and weight is approximately 9 lbs. less.

• Available.