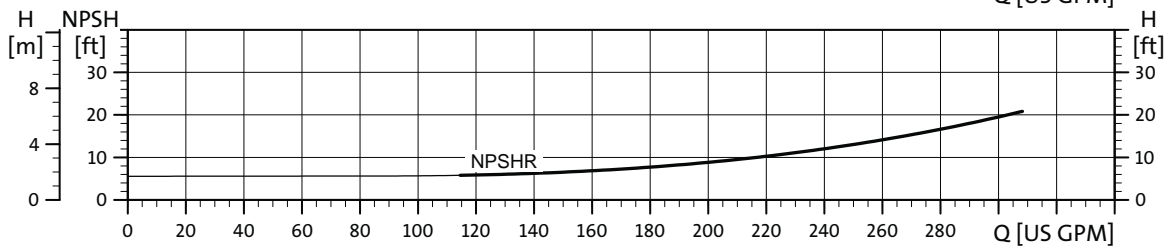
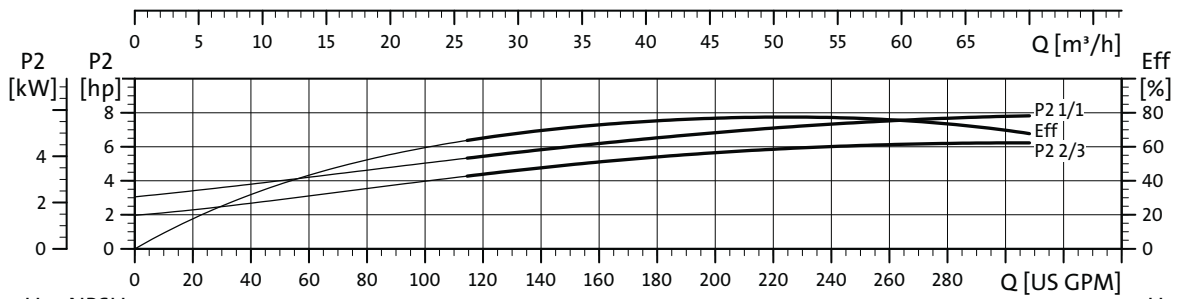
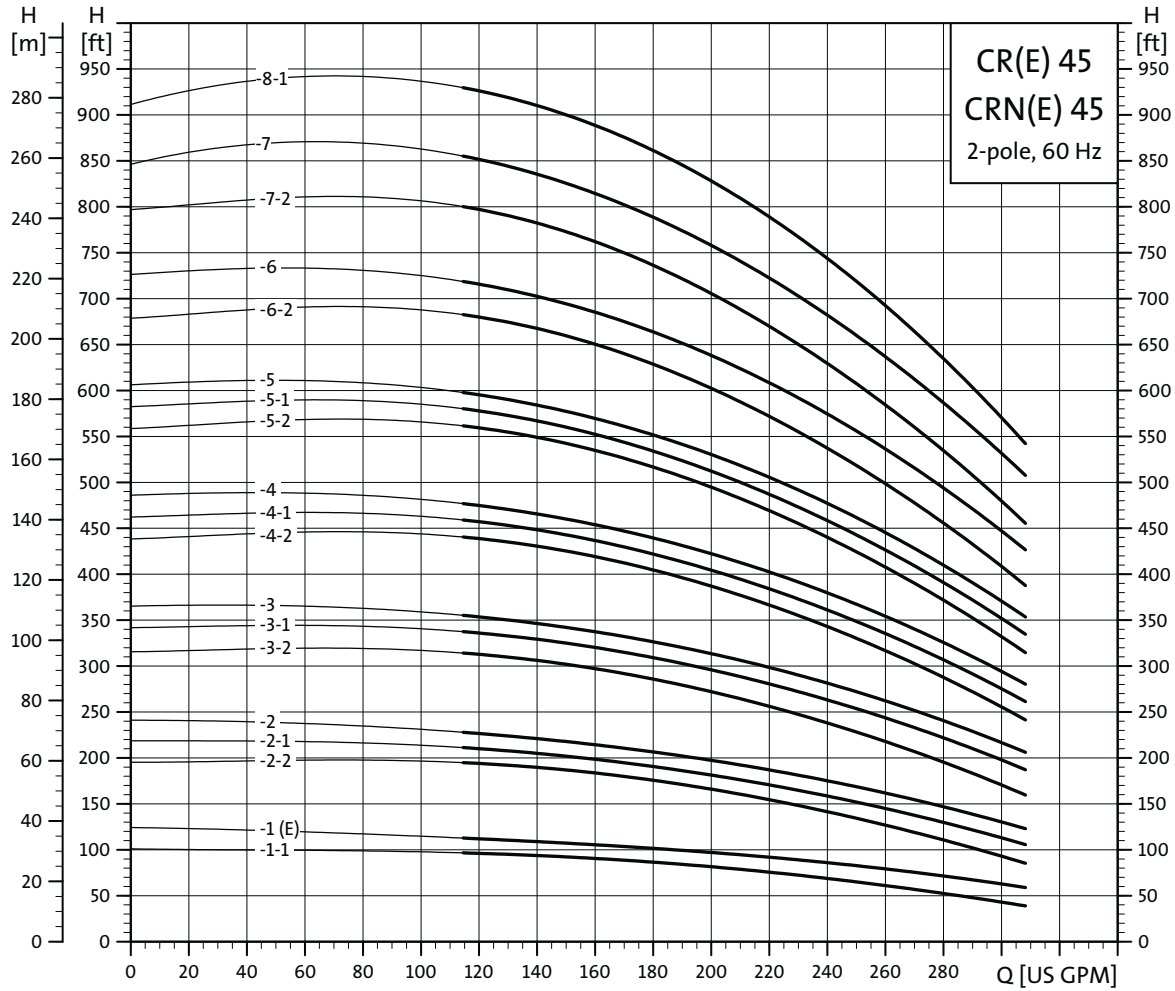
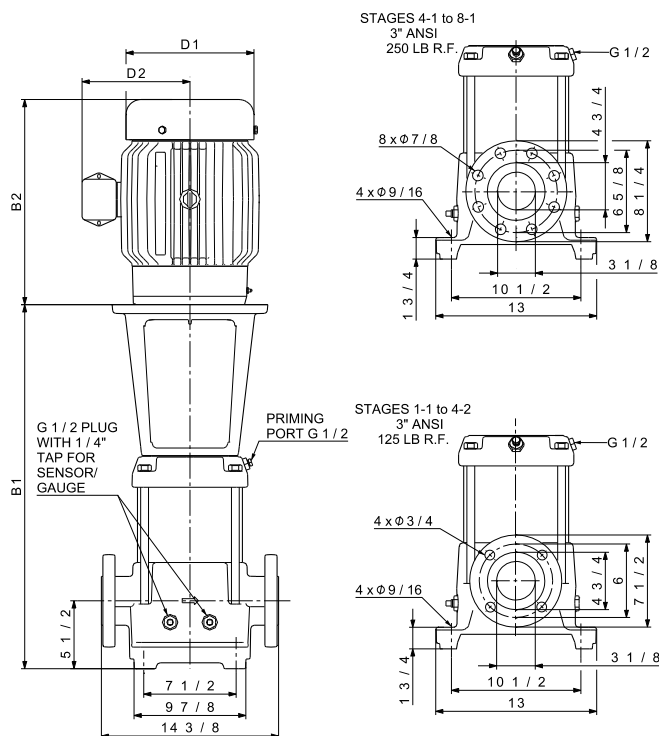


CR(E), CRN(E) 45



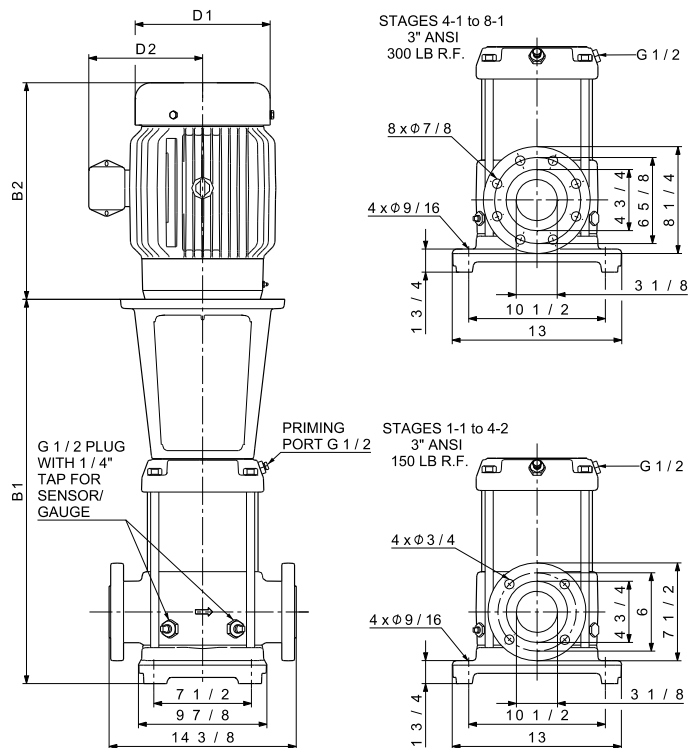
TM02 0040 1303



TM02 7700 1009

Pump type	P2 [hp]	Ph.	ANSI dimensions [inch]									Ship Wt. [lbs.]		
			B1	TEFC			ODP			Ship Wt. [lbs.]				
				D1	D2	B1+B2	D1	D2	B1+B2					
CR 45-1-1	7 1/2	1	22.20	10.22	7.62	37.73	-	-	-	259	-	-	-	-
		3	22.01	8.66	5.28	37.52	-	-	-	243	8.66	7.40	37.52	256
CR(E) 45-1	10	1	22.20	10.23	10.30	38.27	-	-	-	314	-	-	-	-
		3	22.01	8.66	5.28	37.52	-	-	-	243	10.24	8.39	36.93	265
CR 45-2-2	15	3	29.49	10.22	8.67	46.07	10.62	7.33	45 80	376	-	-	-	-
CR 45-2-1	15	3	29.49	10.22	8.67	46.07	10.62	7.33	45 80	376	-	-	-	-
CR 45-2	15	3	29.49	10.22	8.67	46.07	10.62	7.33	45 80	376	-	-	-	-
CR 45-3-2	20	3	32.64	10.22	8.67	49.22	11.50	8.92	52 33	390	-	-	-	-
CR 45-3-1	25	3	32.64	12.94	11.52	52.46	11.50	8.94	53.45	436	-	-	-	-
CR 45-3	25	3	32.64	12.94	11.52	52.46	11.50	8.94	53.45	436	-	-	-	-
CR 45-4-2	30	3	35.79	15.32	13.11	58.98	11.50	8.94	57 60	605	-	-	-	-
CR 45-4-1	30	3	35.79	15.32	13.11	58.98	11.50	8.94	57 60	611	-	-	-	-
CR 45-4	30	3	35.79	15.32	13.11	58.98	11.50	8.94	57 60	611	-	-	-	-
CR 45-5-2	40	3	38.94	15.32	13.11	62.13	13.25	12.21	62.19	634	-	-	-	-
CR 45-5-1	40	3	38.94	15.32	13.11	62.13	13.25	12.21	62.19	634	-	-	-	-
CR 45-5	40	3	38.94	15.32	13.11	62.13	13.25	12.21	62.19	634	-	-	-	-
CR 45-6-2	50	3	42.09	16.88	14.12	69.90	13.25	12.21	64 84	679	-	-	-	-
CR 45-6	50	3	42.09	16.88	14.12	69.90	13.25	12.21	64 84	679	-	-	-	-
CR 45-7-2	50	3	45.24	16.88	14.12	73.05	13.25	12.21	67 99	689	-	-	-	-
CR 45-7	60	3	45.24	19.00	14.90	76.03	15.12	13.19	71 37	869	-	-	-	-
CR 45-8-1	60	3	48.39	19.00	14.90	79.18	15.12	13.19	74 52	878	-	-	-	-

¹⁾ Weights are based on pump with TEFC motor (see price list for individual weights)
All dimensions in inches unless otherwise noted.



TM02 7704 1009

Pump type	P2 [hp]	Ph.	ANSI dimensions [inch]							Ship Wt. [lbs.]	ANSI dimensions [inch]			
			B1	TEFC			ODP				MLE			Ship Wt. [lbs.]
				D1	D2	B1+B2	D1	D2	B1+B2		D1	D2	B1+B2	
CRN 45-1-1	7 1/2	1	22.20	10.22	7.62	37.73	-	-	-	259	-	-	-	-
		3	22.01	8.66	5.28	37.52	-	-	-	243	220.00	188.00	37.52	256
CRN(E) 45-1	10	1	22.20	10.23	10.30	38.27	-	-	-	314	-	-	-	-
		3	22.01	8.66	5.28	37.52	-	-	-	243	260.00	213.00	36.93	265
CRN 45-2-2	15	3	29.49	10.22	8.67	46.07	10.62	7.33	45.80	376	-	-	-	-
CRN 45-2-1	15	3	29.49	10.22	8.67	46.07	10.62	7.33	45.80	376	-	-	-	-
CRN 45-2	15	3	29.49	10.22	8.67	46.07	10.62	7.33	45.80	376	-	-	-	-
CRN 45-3-2	20	3	32.64	10.22	8.67	49.22	11.50	8.92	52.33	390	-	-	-	-
CRN 45-3-1	25	3	32.64	12.94	11.52	52.46	11.50	8.94	53.45	436	-	-	-	-
CRN 45-3	25	3	32.64	12.94	11.52	52.46	11.50	8.94	53.45	436	-	-	-	-
CRN 45-4-2	30	3	35.79	15.32	13.11	58.98	11.50	8.94	57.60	606	-	-	-	-
CRN 45-4-1	30	3	35.79	15.32	13.11	58.98	11.50	8.94	57.60	609	-	-	-	-
CRN 45-4	30	3	35.79	15.32	13.11	58.98	11.50	8.94	57.60	609	-	-	-	-
CRN 45-5-2	40	3	38.94	15.32	13.11	62.13	13.25	12.21	62.19	632	-	-	-	-
CRN 45-5-1	40	3	38.94	15.32	13.11	62.13	13.25	12.21	62.19	632	-	-	-	-
CRN 45-5	40	3	38.94	15.32	13.11	62.13	13.25	12.21	62.19	632	-	-	-	-
CRN 45-6-2	50	3	42.09	16.88	14.12	69.90	13.25	12.21	64.84	677	-	-	-	-
CRN 45-6	50	3	42.09	16.88	14.12	69.90	13.25	12.21	64.84	677	-	-	-	-
CRN 45-7-2	50	3	45.24	16.88	14.12	73.05	13.25	12.21	67.99	687	-	-	-	-
CRN 45-7	60	3	45.24	19.00	14.90	76.03	15.12	13.19	71.37	867	-	-	-	-
CRN 45-8-1	60	3	48.39	19.00	14.90	79.18	15.12	13.19	74.52	876	-	-	-	-

1) Weights are based on pump with TEFC motor (see price list for individual weights)
All dimensions in inches unless otherwise noted.