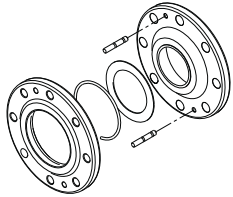
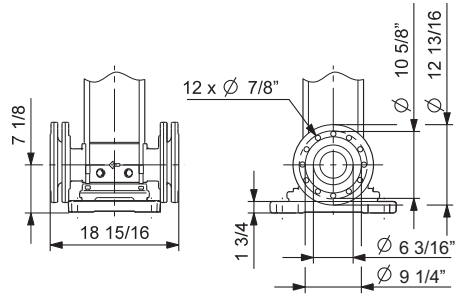


## Pipework connection

For pipework connection, various sets of counter flanges and couplings are available.

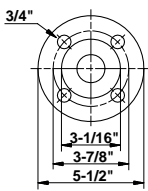
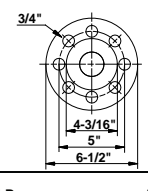
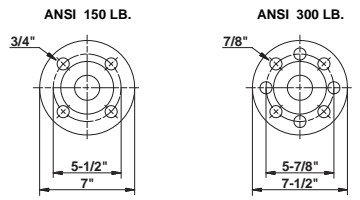
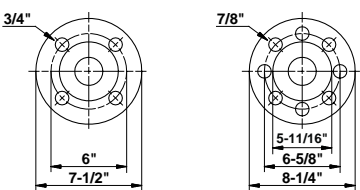
### Adapter kit

6" flanges are available for CR, CRN 120 and 150 pumps. To use 6" flanges, two adapter kits must be ordered per pump.

Adapter kit	Pump type	Pipe connection	Number of flange kits needed	Product number
 TM04 0021 4807	CR 120 CR 150	6" RF 250 lb. Ductile iron	2	96638184
	CRN 120 CRN 150	6" RF 300 lb. ANSI 316 SS	2	96638186

### Counter flanges for CR(E)

A set consists of two counter flanges, two gaskets, bolts and nuts.

Counter flange	Pump type	Description	Pressure class	Pipework connection	Product number
	TM02 5691 3802	CR 1s CR(E) 1 CR(E) 3 CR(E) 5	Threaded	ANSI 250 lb.	1 1/4" NPT 91122260
	TM02 5692 3802	CR(E) 10 CR(E) 15 CR(E) 20	Threaded	ANSI 250 lb.	2" NPT 335021
	TM02 5693 + 5694 3802	CR(E) 32	Threaded	ANSI 125 lb.	2 1/2" NPT 559601
	TM02 5695 + 5696 3802	CR(E) 45	Threaded	ANSI 125 lb.	3" NPT 569601
			Threaded	ANSI 250 lb.	3" NPT 91121952

Counter flange	Pump type	Description	Pressure class	Pipework connection	Product number	
	TM02 5697 + 5698 3802	CR(E) 64 CR(E) 90	Threaded	ANSI 125 lb.	4" NPT	579801
			Threaded	ANSI 250 lb.	4" NPT	3600028
	TM02 5697 + 5698 3802	CR(E) 120 CR(E) 150	Threaded	ANSI 125 lb.	5" NPT	91121956
			Threaded	ANSI 250 lb.	5" NPT	91121957

### Counter flanges for CRN(E)

Counterflanges for CRN(E) pumps are made of stainless steel according to AISI 316.

A set consists of two counter flanges, two gaskets, bolts and nuts.

Counter flange	Pump type	Description	Pressure class	Pipework connection	Product number	
	TM02 5691 3802	CRI(E), CRN(E) 1s, 1, 3 and 5	Threaded	ANSI 300 lb.	1 1/4" NPT	91129013
			Threaded	ANSI 300 lb.	2" NPT	339919
	TM02 5693 + 5694 3802	CRN(E) 32	Threaded	ANSI 150 lb.	2 1/2" NPT	91121951
			Threaded	ANSI 300 lb.	2 1/2" NPT	01D00138
	TM02 5695 + 5696 3802	CRN(E) 45	Threaded	ANSI 150 lb.	3" NPT	91121953
			Threaded	ANSI 300 lb.	3" NPT	91121954

Counter flange	Pump type	Description	Pressure class	Pipework connection	Product number
	<p>TM02 5697 + 5698 3802</p> <p>CRN(E) 64 CRN(E) 90</p>	Threaded	ANSI 150 lb.	4" NPT	0ID00148
		Threaded	ANSI 300 lb.	4" NPT	91121955
	<p>CRN(E) 120 CRN(E) 150</p>	Threaded	ANSI 150 lb.	5" NPT	91121958
		Threaded	ANSI 300 lb.	5" NPT	91121959

### PJE couplings for CRN(E)

Couplings for CRN(E) pumps are made of stainless steel according to AISI 316.

A set consists of two couplings, two gaskets, two pipe stub and bolts and nuts.

Couplings	Pump type	Pipe stub	Rated pressure	Pipework connection	Rubber parts	Number of coupling sets needed	Product number
	<p>TM00 3808 1094</p> <p>CRI(E), CRN(E) 1s, 1, 3 and 5</p>	Threaded	1160 psi	1 1/4" NPT	EPDM	1	4013010
					FKM	1	0ID00118
	<p>CRI(E) CRN(E) 10, 15 and 20</p>	Threaded	1015 psi	2" NPT	EPDM	1	331301
					FKM	1	0ID00128

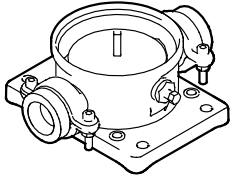
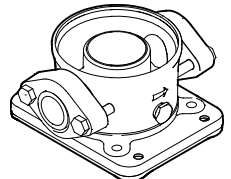
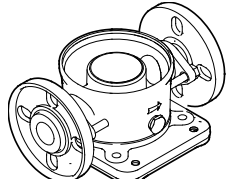
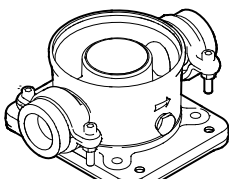
### FlexiClamp base connections

All sets comprise the necessary number of bolts and nuts as well as a gasket/O-ring.

Base connections	Pump type	Connection	Pipework connection	Rubber parts	Product number
	<p>TM02 1144 0601</p> <p>CRI(E), CRN(E) 1s, 1, 3 and 5</p>	Oval (cast iron)	1" NPT	Klingersil	96468491
			1 1/4" NPT	Klingersil	96470781
		Oval (stainless steel)	1" NPT	Klingersil	96480850
			1 1/4" NPT	Klingersil	96480851

# Accessories

CR, CRI, CRN, CRE, CRIE, CRNE

Base connections	Pump type	Connection	Pipework connection	Rubber parts	Product number
	TM02 1145 0601 <b>CRI(E), CRN(E) 1s, 1, 3 and 5</b>	Union ext. threaded	2" NPT	EPDM	96480852
				FKM	96480853
	TM02 1146 0601 <b>CRI(E), CRN(E) 1s, 1, 3 and 5</b>	ANSI (FGJ) (stainless steel)	1 1/4" NPT	EPDM	96480858
				FKM	96480859
	TM02 1147 0601 <b>CRI(E), CRN(E) 1s, 1, 3 and 5</b>	Clamp, threaded pipe stub	1" NPT	EPDM	96480854
			FKM	96480855	
			1 1/4" NPT	EPDM	96480856
			FKM	96480857	
	TM02 7237 2803 <b>CRI(E), CRN(E) 10, 15 and 20</b>	Oval (cast iron)	2" NPT	Klingsil	96498838
		Oval (stainless steel)	2" NPT	Klingsil	96498839
	TM02 7238 2803 <b>CRI(E), CRN(E) 10, 15 and 20</b>	ANSI (FGJ) (stainless steel)	2" NPT	EPDM	96511402
				FKM	96511403
	TM02 7239 2803 <b>CRI(E), CRN(E) 10, 15 and 20</b>	Clamp, threaded pipe stub	1 1/2" NPT	EPDM	96500271
			FKM	96500272	
			2" NPT	EPDM	96500273
			FKM	96500274	
			2" NPT	EPDM	96508602
			FKM	96508603	

## Potentiometer for CRE, CRIE, CRNE

Potentiometer for setpoint setting and start/stop of the CRE, CRIE, CRNE pump.

Product	Product number
External potentiometer with cabinet for wall mounting	625468

## G10-LON interface for CRE, CRIE, CRNE

The G10-LON interface is used in connection with data transmission between a Locally Operating Network (LON) and electronically controlled Grundfos pumps applying the Grundfos bus-protocol GENibus.

Product	Product number
G10-LON interface	00605726

## LiqTec for CR(E), CRI(E) and CRN(E)

A dry-running protection device. The Grundfos LiqTec stops the pump immediately

- if there is no liquid in the pump (dry-running)
- If the liquid temperature exceeds 266 °F ±8 °F.

When connected to the PTC sensors in the motor, the LiqTec also protects the motor against overheating.

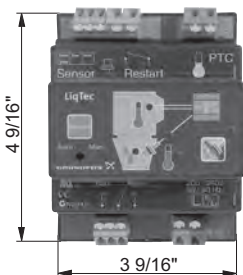
LiqTec is prepared for DIN rail mounting in control cabinet.

Enclosure class: IP X0.

## Remote control, R100

R100 is used for wireless communication with the CRE, CRIE, CRNE pump. The communication takes place by means of infrared light.

Product	Product number
R100	96615297

LiqTec dry-running protection	Pump type	Voltage [V]	LiqTec	Sensor ½"	Cable 16.4 ft	Extension cable 49.2 ft	Product number
	CR(E) CRI(E) CRN(E)	200-240	●	●	●	-	96556429
		80-130	●	●	●	-	96556430
		-	-	-	-	●	96443676

## Sensors for CRE, CRIE, CRNE

Accessory	Measuring range	Product number
Pressure sensor • Connection: 1/4" NPT  Includes a 6 ft cable with removable potted plug in addition to a standard plug for remote mounting.	0-87 psi (0-6 bar)	91136169
	0-145 psi (0-10 bar)	91136170
	0-232 psi (0-16 bar)	91136171
	0-362 psi (0-25 bar)	91136172
	0-580 psi (0-4 bar)	91136173

## Gauges for CRE, CRIE, CRNE

Accessory	Measuring range	Product number
Liquid filled pressure gauge • AISI 304/Copper	30" Hg - 30 psi	91123566
	0-60 psi	00ID8562
	0-100 psi	00ID8563
	0-160 psi	00ID8564
	0-200 psi	00ID8565
	0-300 psi	00ID8566
	0-400 psi	00ID8567
	0-600 psi	00ID8568
	30" Hg - 30 psi	91130835
	0-60 psi	00ID8569
Liquid filled pressure gauge • AISI 316	0-100 psi	00ID8570
	0-160 psi	00ID8571
	0-200 psi	00ID8572
	0-300 psi	00ID8573
	0-400 psi	00ID8574
	0-600 psi	00ID8575
	0-200 psi	00ID8576